

REPLACEMENT PART GUIDE

6068HFS86 PowerTech 6.8L Gen Set Motor (Tier 3)



OCV FILTER

[RE546466](#) (2977, 2985)

1500 hrs of operation.



SHORT BLOCK ASSEMBLY

[RE551694](#)

Also Order Engine Overhaul Gasket Kit and Cylinder Head Bolt Kit.



PRIMARY FUEL FILTER

[RE541922](#) (8171, 81E6) (FURNISH IN INTER FACTORY FOR SDMO)



FINAL FUEL FILTER

[RE522878](#) (35ED, 35H3) (FURNISH IN INTER FACTORY FOR SDMO)

500 hrs of operation or every 12 months.



STARTER

[RE540301](#) (12V, 2.5KW) (3005)

[RE546868](#) (12V, 3.2KW) (30BA)

[DZ110083](#) (24V, 4KW) (3067)

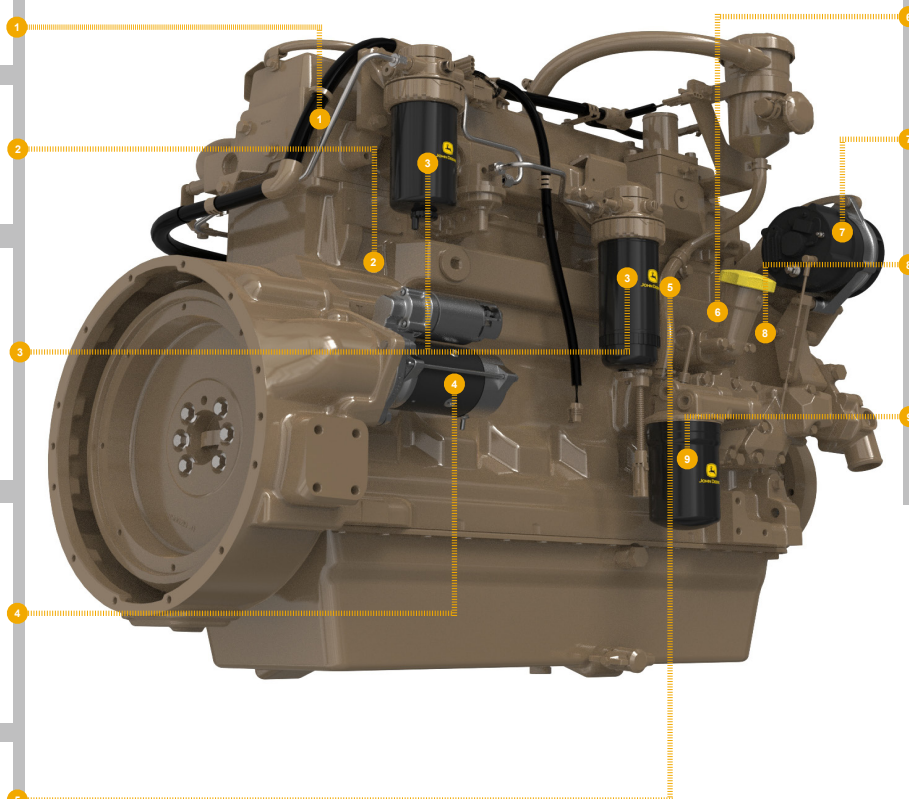
[RE552251](#) (24V, 3.5KW) (30CA)

[RE540302](#) (12V, 2.5KW) (30BJ)



FAN BELT

[R503814](#) (LGTH = 1475 mm) (24AX)



FAN PULLEY

[R128658](#) (OD = 140 mm) (8648)

[R128659](#) (OD = 154 mm) (8652)



ALTERNATOR

[RE533516](#) (12V, 75A) (3138)

[RE537146](#) (24V, 50A) (3142)



CRANKSHAFT PULLEY WITH DAMPNER

[RE505881](#) (OD = 168 mm) (1324)



OIL FILTER

[RE504836](#) (8843, 88AC)

500 hrs of operation or every 12 months.



JOHN DEERE

Genuine Parts and Service



REMAN PARTS GUIDE

6068HFS86 PowerTech 6.8L Gen Set Motor (Tier 3)



FUEL INJECTION PUMP

[SE501915](#) (REMAN FOR [RE507959](#))
(162K, 16AX)



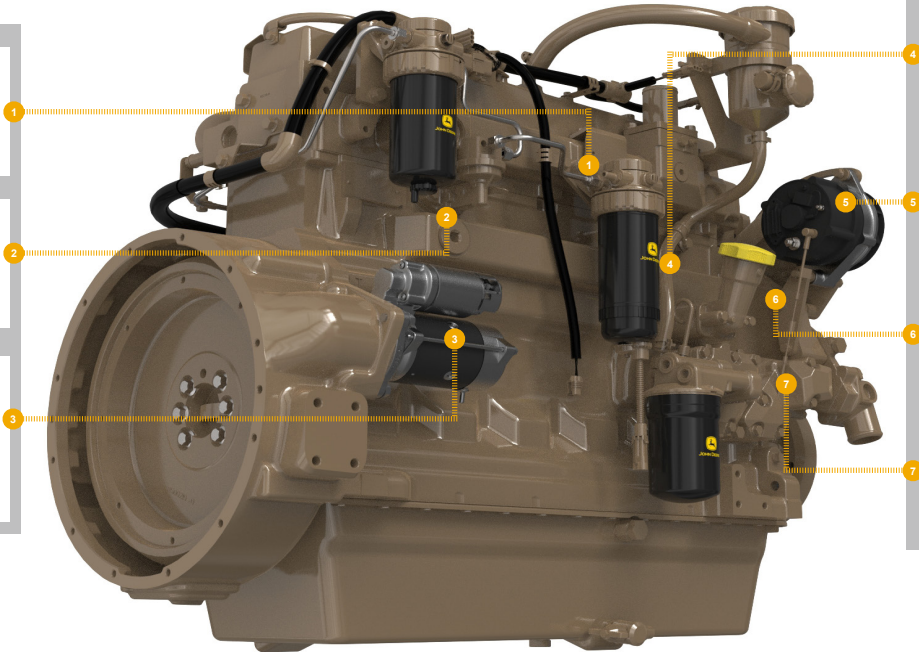
CONNECTING ROD

[SE501094](#) (REMAN FOR [RE500608](#))
(4855)



STARTER

[SE501401](#) (REMAN FOR [RE540301](#))
(12V, 2.5KW) (3005)
[SE501426](#) (REMAN FOR [RE540302](#))
(12V, 2.5KW) (30BJ)



CONTROLLER

[SE502802](#) (REMAN FOR [RE526588](#))
(24V/12V, LEVEL 16) (16AX)



ALTERNATOR

[SE502626](#) (REMAN FOR [RE533516](#))
(12V, 75A) (3138)



OIL PUMP

[SE501814](#) (REMAN FOR [DZ100057](#)) (5001)



WATER PUMP

[SE501609](#) (REMAN FOR [RE546906](#)) (4446)



JOHN DEERE
Genuine Parts and Service