

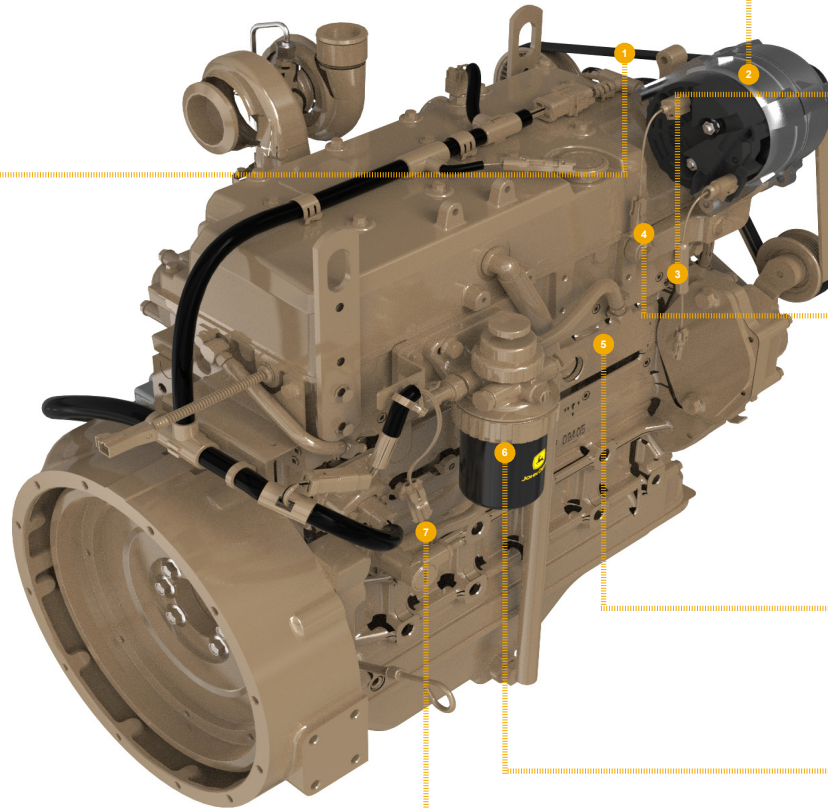
REPLACEMENT PART GUIDE

5030HF285 PowerTech E 3.0L OEM Engine



FAN BELT

- [DZ118747](#) (LGTH = 2675 mm) (2433)
- [DZ118745](#) (LGTH = 2635 mm) (2435, 2454)
- [DZ118740](#) (LGTH = 2590 mm) (2438)
- [DZ118746](#) (LGTH = 2670 mm) (2439)
- [DZ118744](#) (LGTH = 1254 mm) (2441)
- [DZ118741](#) (LGTH = 2315 mm) (2402, 2404, 2418)
- [DZ118732](#) (LGTH = 2365 mm) (2401, 2409, 2423)
- [DZ118729](#) (LGTH = 2325 mm) (2403, 2411)
- [DZ118737](#) (LGTH = 2490 mm) (2406)
- [DZ118735](#) (LGTH = 2460 mm) (2413, 2428)
- [DZ118739](#) (LGTH = 2530 mm) (2415)
- [DZ118736](#) (LGTH = 2480 mm) (2417)
- [R523007](#) (LGTH = 2370 mm) (2419, 2420, 2422)
- [R522751](#) (LGTH = 2395 mm) (2421, 2424)
- [R523054](#) (LGTH = 2530 mm) (2425)
- [DZ118743](#) (LGTH = 2415 mm) (2426)
- [DZ119646](#) (LGTH = 2415 mm) (2427)
- [R527924](#) (LGTH = 2645 mm) (2430, 2444)
- [DZ118646](#) (LGTH = 2600 mm) (2431)
- [R527925](#) (LGTH = 2650 mm) (2432)
- [R527917](#) (LGTH = 2570 mm) (2434)
- [R527930](#) (LGTH = 2715 mm) (2436, 2447)
- [R527918](#) (LGTH = 2580 mm) (2437, 2442)
- [R527935](#) (LGTH = 2850 mm) (2440)
- [R527922](#) (LGTH = 2620 mm) (2443)
- [DZ118748](#) (LGTH = 2680 mm) (2445)
- [R527929](#) (LGTH = 2690 mm) (2446)
- [R527931](#) (LGTH = 2755 mm) (2448, 2450)
- [R527932](#) (LGTH = 2775 mm) (2451)
- [R527934](#) (LGTH = 2815 mm) (2452, 2455)
- [R527933](#) (LGTH = 2790 mm) (2453)



ALTERNATOR

- [RE529377](#) (70 A) (3102)
- [AH165975](#) (BOSCH, 12 V, 120 A) (3103)
- [RE522401](#) (ISKRA, 24 V, 50A) (3104)
- [RE509080](#) (12 V, 65 A) (3105)



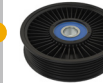
DAMPER

- [RE516488](#) (OD = 186 mm) (6801)



FAN PULLEY

- [RE537940](#) (OD = 115 mm) (2301) (2302) (2304) (2305) (2309) (2310) (2311) (2312)
- [RE537861](#) (OD = 80.64 mm) (2309) (2310) (2311) (2312)
- [R505808](#) (OD = 140 mm) (8601)
- [R516401](#) (OD = 127 mm) (8602)
- [R516400](#) (OD = 160 mm) (8603)
- [R520415](#) (OD = 149.94 mm) (8604)
- [R520414](#) (OD = 165.94 mm) (8605)
- [R520462](#) (OD = 132.94 mm) (8606)



OIL FILTER

- [RE519626](#) (8801)
- 500 hrs of operation or every 12 months.



FUEL FILTER

- [RE533026](#) (3519, 3522, 3526, 3527, 3538, 3543, 3544, 3545)
- 500 hrs of operation or every 12 months.



STARTER

- [RE540304](#) (12 V) (3002)
- [RE540305](#) (ISKRA, 24 V, 3KW) (3003)
- [RE540303](#) (ISKRA, 12 V, 2.6 KW) (3007)

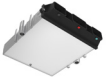




REMAN PARTS GUIDE

5030HF285 PowerTech E 3.0L OEM Engine

ENGINE CONTROLLER



[SE502950](#) (REMAN FOR [RE528702](#)) (7288, 7289, 7292, 7293, 7294, 72BA, 72CC)
[SE502951](#) (REMAN FOR [RE528703](#)) (7290, 72AJ, 72AK, 72AL, 72AM, 72BB)

CYLINDER HEAD

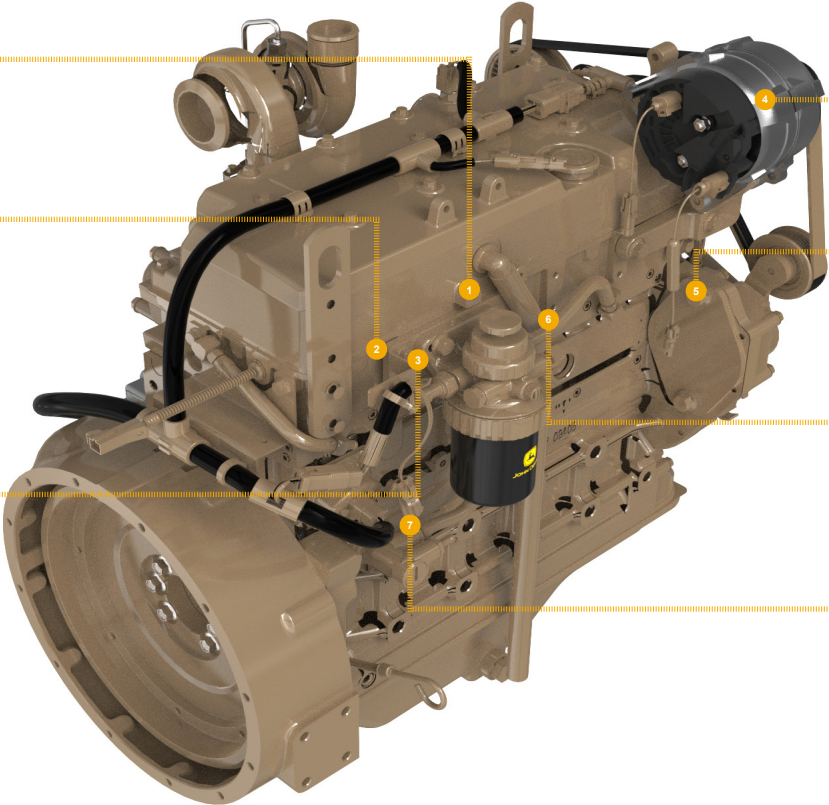


[SE501608](#) (REMAN FOR [RE535828](#)) (5106) (9901)

COMPLETE BLOCK ASSEMBLY



[RE536718](#) (ALSO ORDER RE536448, TY9477 AND PM710XX280) (MARKED R522413) (PISTON MARKED RE527622) (CAMSHAFT MARKED R526590 R528278 OR R528329)
[RE536716](#) (MAY NOT BE AS ILLUSTRATED) (ALSO ORDER RE536448, TY9477 AND PM710XX280) (MARKED R522413) (PISTON MARKED RE527622) (CAMSHAFT MARKED RE526450)



ALTERNATOR



[SE501343](#) (REMAN FOR [AH165975](#)) (BOSCH, 12 V, 120 A) (3103)
[SE501831](#) (REMAN FOR [RE529377](#)) (12 V, 70 A) (3102)

WATER PUMP



[SE502114](#) (REMAN FOR [RE507604](#) AND [RE545573](#)) (2001)

FUEL INJECTION PUMP



[SE501960](#) (REMAN FOR [RE534960](#)) (1644, 1646)

INJECTION NOZZLE



[SE501961](#) (REMAN FOR [RE528525](#)) (1644)
[SE501962](#) (REMAN FOR [RE529390](#)) (1646)

STARTER



[RM100034](#) (REMAN FOR [RE540303](#)) (ISKRA, 12 V, 2.6 KW) (3007)