



REPLACEMENT PART GUIDE

PowerTech EWX 4.5L 4045TFC03 Diesel OEM Industrial (FT4) Engine

STARTER

- [RE523501](#) (3073)
- [DZ110081](#) (12V, 3.4KW) (3075)
- [RE523502](#) (12V) (3084)
- [DZ110082](#) (24V) (3092)
- [DZ110083](#) (24V, 4KW) (3096)
- [RE549229](#) (12V) (30AT)
- [RE549230](#) (24V) (30AU)
- [RE551645](#) (12V) (30AX)
- [RE551644](#) (24V) (30AY)
- [RE546868](#) (12V) (30BA)
- [RE546860](#) (12V) (30BQ)
- [RE546862](#) (12V) (30BS)



CRANCKCASE VENT SYSTEM

- [DZ105796](#) (29BF) (29BG)
 - [DZ105100](#) (29DV) (29DW) (29FD) (29FE)
- 1500 Hours of Operation.



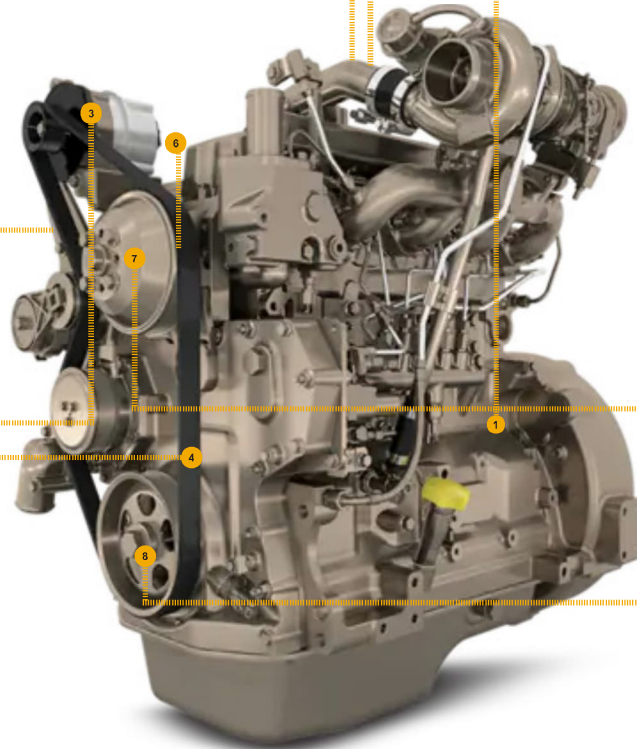
ALTERNATOR

- [RE533516](#) (12V, 75A) (3138)
- [RE533653](#) (12V, 95A, ISKRA) (3140)
- [RE533654](#) (12V, 120AMP) (3141)
- [RE537146](#) (28V, 50A, ISKRA) (3142)
- [AXE17691](#) (12V, 200A) (3151)
- [AT387574](#) (24V, 100A) (3152)



FAN BELT

- [DZ112758](#) (LGTH=1565 MM) (24GY)
- [DZ119970](#) (LGTH=1550MM) (24HA)
- [DZ119530](#) (LGTH=1675 MM) (24GK)
- [DZ115812](#) (LGTH=1685 MM) (24EK)
- [T240080](#) (LGTH=1660 MM) (24FN)
- [T428692](#) (LGTH=1665 MM) (24FU)
- [T429109](#) (LGTH=1660 MM) (24GJ)
- [DZ117268](#) (LGTH=1530 MM) (24GP)
- [DZ118768](#) (LGTH=1535 MM) (24GR)
- [T428712](#) (LGTH=2400 MM) (24GS)
- [DZ119014](#) (LGTH=2335 MM) (24HL)



OIL FILTER

- [RE504836](#) (880N, 8845, 8842, 8849, 8843)
- Replace 500hrs of operation or every 12 months.



FUEL FILTER

- PRIMARY FUEL FILTER**
- [DZ115391](#) (35E3) (35E4)

Replace 500hrs of operation or every 12 months.



FUEL FILTER

- SECONDARY FUEL FILTER**
- [DZ115391](#) (35E3) (35E4)

Replace 500hrs of operation or every 12 months.



FAN PULLEY

- [R128660](#) (168 MM) (173 MM) (8632) (8602) (8605) (8608)
- [R128662](#) (203 MM) (8612)
- [R128658](#) (140 MM) (145 MM) (8601) (8607) (8604)
- [R128659](#) (159 MM) (8652)



CRANK SHAFT PULLEY & DAMPER

- [R505567](#) (OD=173 MM) (1328)
- [R545126](#) (OD=173 MM) (1333)
- [R501222](#) (OD=173 MM) (1312)



SHORT BLOCK ASSEMBLY

- [DZ109722](#) MARKED R534172



REMAN PARTS GUIDE

PowerTech EWX 4.5L 4045TFC03 Diesel OEM Industrial (FT4) Engine

STARTER

- [SE501851](#) (REMAN FOR [DZ110081](#), [RE507670](#)) (12V) (3075)
- [SE502286](#) (REMAN FOR [DZ110082](#)) (24V) (3092)
- [DZ110082](#) (REMAN FOR [RE522738](#)) (24V) (3092)
- [SE502631](#) (REMAN FOR [RE523501](#)) (12V, 4.2KW) (3073)
- [SE502632](#) (REMAN FOR [RE523502](#)) (12V, 4.2KW) (3084)
- [SE502558](#) (REMAN FOR [RE549229](#)) (12V) (30AT)
- [SE502823](#) (REMAN FOR [RE549230](#)) (24V) (30AU)
- [SE502736](#) (REMAN FOR [RE551644](#)) (24V) (30AY)



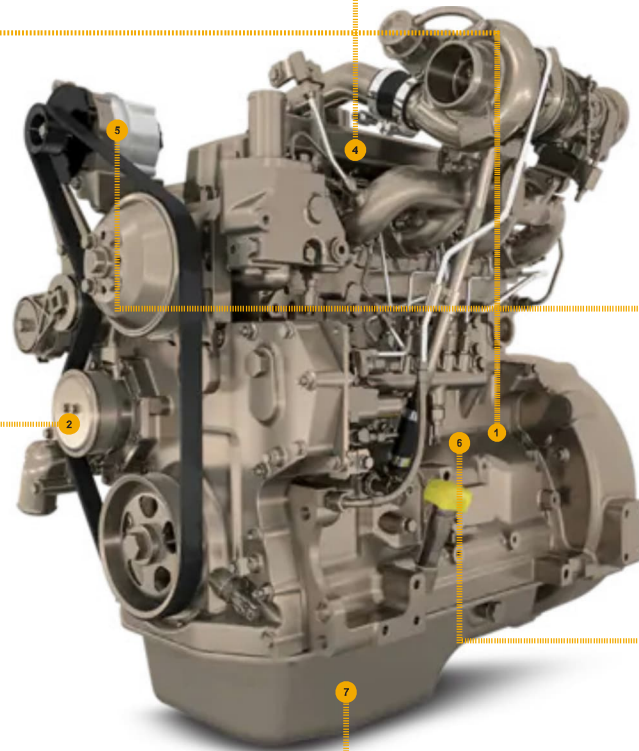
WATER PUMP

- [SE501609](#) (REMAN FOR [RE546906](#)) (4433) (4434) (4446) (4447)



A/C COMPRESSORS

- [SE503065](#) (REMAN FOR [AH169875](#)) (7275)
- [SE503064](#) (REMAN FOR [AT172975](#)) (7274)



CYLINDER HEAD

- [SE501809](#) (REMAN FOR [RE532328](#)) (5168)



ALTERNATOR

- [SE501342](#) (REMAN FOR [AH137883](#)) (12V, 95A) (3140)
- [SE501343](#) (REMAN FOR [AH165975](#)) (24V, 120A) (3141)
- [SE501341](#) (REMAN FOR [AT161324](#)) (24V, 45A) (3142)
- [SE501387](#) (REMAN FOR [AT173624](#)) (24V, 45A) (3142)
- [SE501838](#) (REMAN FOR [AT387574](#)) (24V, 100A) (3152)
- [SE501826](#) (REMAN FOR [AXE17691](#)) (12V, 200A) (3151)
- [SE502626](#) (REMAN FOR [RE533516](#)) (12V, 75A) (3138)
- [SE502627](#) (REMAN FOR [RE533653](#)) (12V, 95A) (3140)
- [SE502628](#) (REMAN FOR [RE533654](#)) (12V, 120A) (3141)



CONNECTING ROD

- [SE501094](#) (REMAN FOR [RE500608](#)) (4843)



OIL PUMP

- [SE501814](#) (REMAN FOR [DZ100057](#)) (5001)

