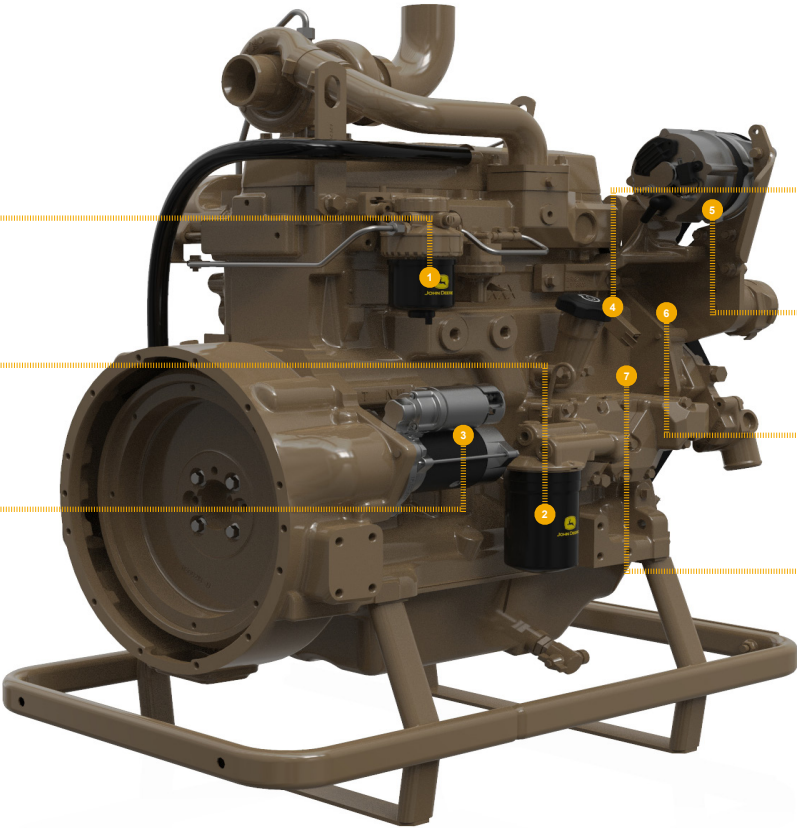




REPLACEMENT PART GUIDE

4045TF220 Power Unit for Gen Set (12V - 83KW - 1500RPM) SDMO Engine



FINAL FUEL FILTER

[RE60021](#) (35G3)

500 hrs of operation or every 12 months.



OIL FILTER

[RE59754](#) (88AA)

500 hrs of operation or every 12 months.



STARTER

[RE546868](#) (12V, 3.2KW) (30BA)



FAN PULLEY

[R128658](#) (OD = 145 mm) (8604)



ALTERNATOR

[RE533516](#) (12V, 75A) (3109)



FAN BELT

[DZ119059](#) (LGTH = 1515 mm) (24BP)



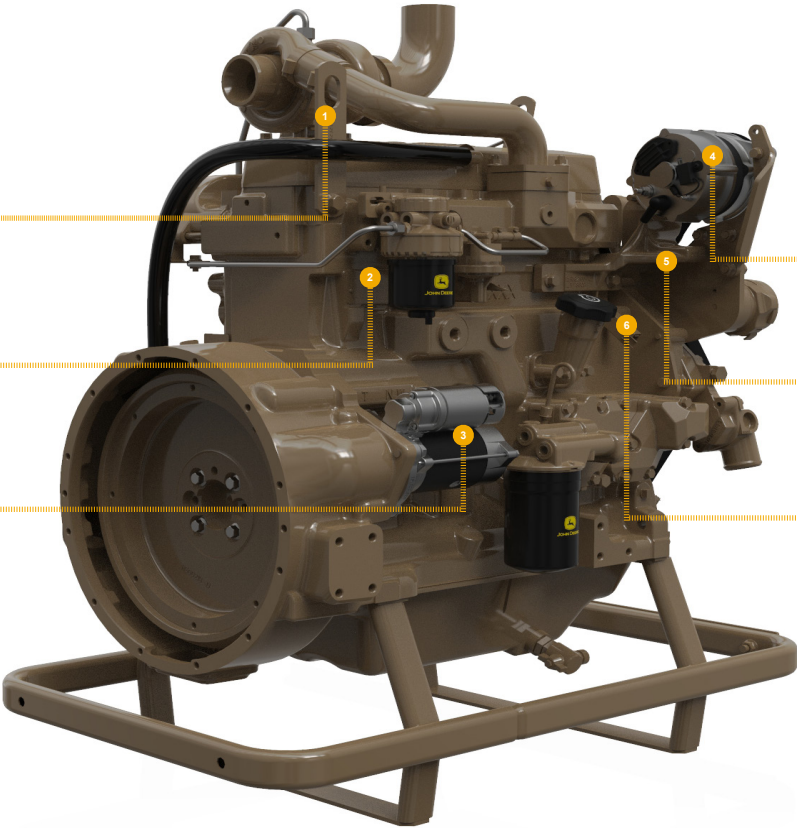
CRANKSHAFT PULLEY

[R133296](#) (OD = 189 mm) (1301)



REMAN PARTS GUIDE

4045TF220 Power Unit for Gen Set (12V - 83KW - 1500RPM) SDMO Engine



TURBO CHARGER

[SE502278](#) (REMAN FOR [RE508971](#)) (65CN)



CONNECTING ROD

[SE501094](#) (REMAN FOR [RE500608](#))
(4809)



CYLINDER HEAD

[SE501579](#) (REMAN FOR [RE57234](#)) (5102)



ALTERNATOR

[SE502626](#) (REMAN FOR [RE533516](#))
(12V, 75A) (3109)



WATER PUMP

[SE501610](#) (REMAN FOR [RE546917](#)) (4429)



OIL PUMP

[SE501814](#) (REMAN FOR [RE504914](#)) (5001)