



# REPLACEMENT PART GUIDE

## 4045HK551 PowerTech EWS 4.5L Kukje OEM Engine (FT4/SV)



### OCV FILTER

[DZ105796](#) (29BY)

1500 hrs of operation.

1



### STARTER

[RE546860](#) (12V) (30BQ) INCLUDING SAFETY SIGN, LABEL, COVER

2



### FINAL FUEL FILTER

[DZ115390](#) (35L7)

500 hrs of operation or every 12 months.

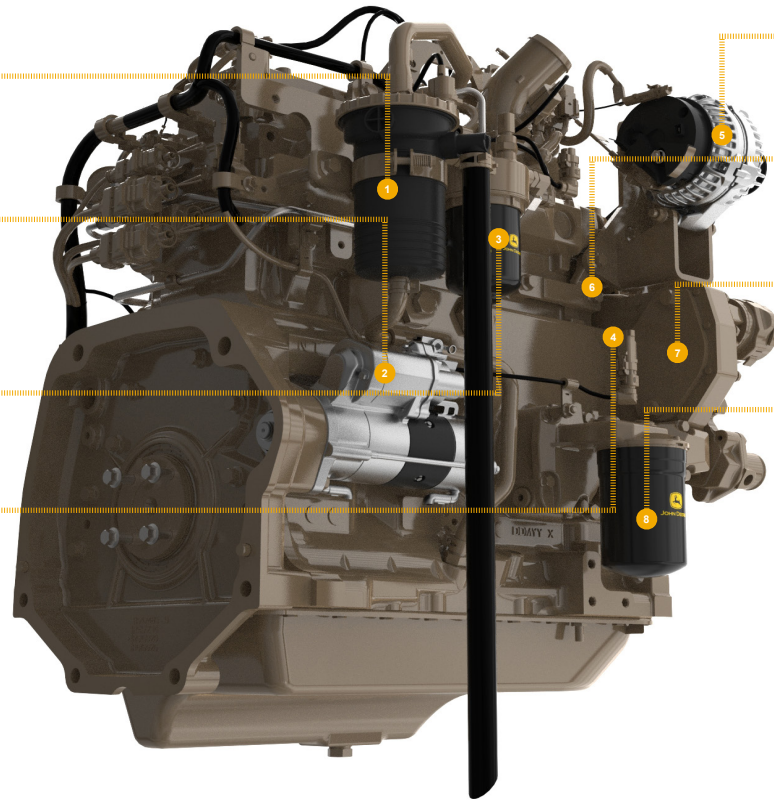
3



### FAN BELT

[DZ124645](#) (LGTH = 2385 mm) (24MK)

4



### ALTERNATOR

[RE537508](#) (12V, 120A) (3173)

5



### FAN PULLEY

[R128659](#) (OD = 154 mm) (8654)

6



### CRANKSHAFT PULLEY

[R503880](#) (OD = 189 mm) (1327)

7



### OIL FILTER

[RE504836](#) (88AN)

500 hrs of operation or every 12 months.

8



### DIESEL EXHAUST FLUID INLINE FILTER

[DZ124403](#) (3342)

8000 hrs of operation or every 36 months.



### DOSING UNIT PUMP FILTER

[DZ114640](#) (61LE)

4500 hrs of operation or every 36 months.



### DEF TANK INLET SCREEN

[DZ114695](#) (3342)

As Required .



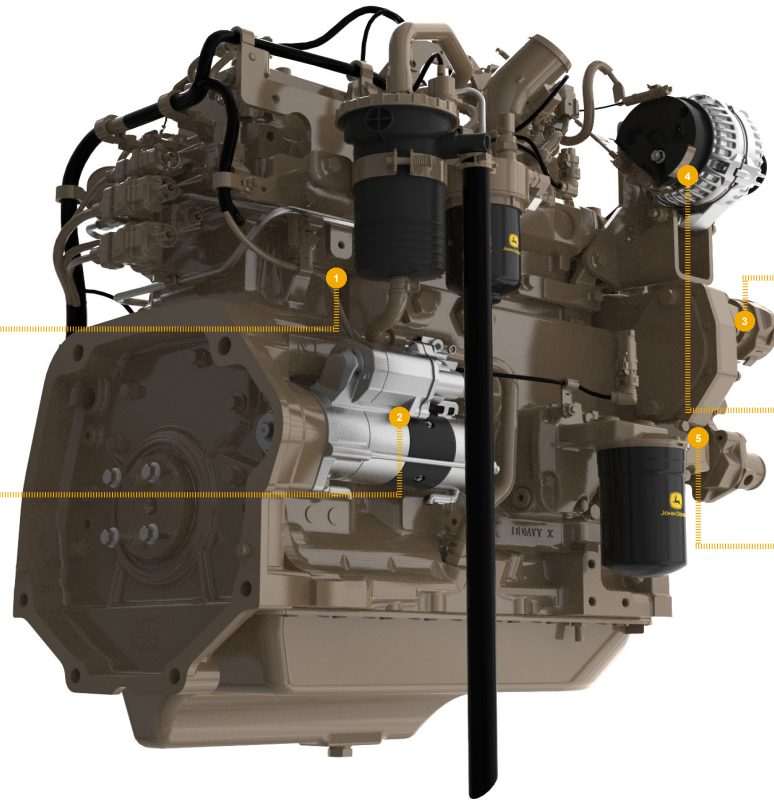
**JOHN DEERE**

Genuine Parts and Service



# REMAN PARTS GUIDE

## 4045HK551 PowerTech EWS 4.5L Kukje OEM Engine (FT4/SV)



### CONNECTING ROD

[SE501094](#) (REMAN FOR [RE500608](#))  
(48AU)



### STARTER

[RM100311](#) (REMAN FOR [RE546860](#)) (12V)  
(30BQ)



### OIL PUMP

[SE501814](#) (REMAN FOR [DZ100057](#)) (5001)



### ALTERNATOR

[SE502561](#) (REMAN FOR [RE537508](#))  
(12V, 120A) (3173)



### WATER PUMP

[SE501227](#) (REMAN FOR [RE546918](#))  
(S350PT)  
[SE502816](#) (REMAN FOR [RE546918](#))  
(S350 IT4)



**JOHN DEERE**  
Genuine Parts and Service