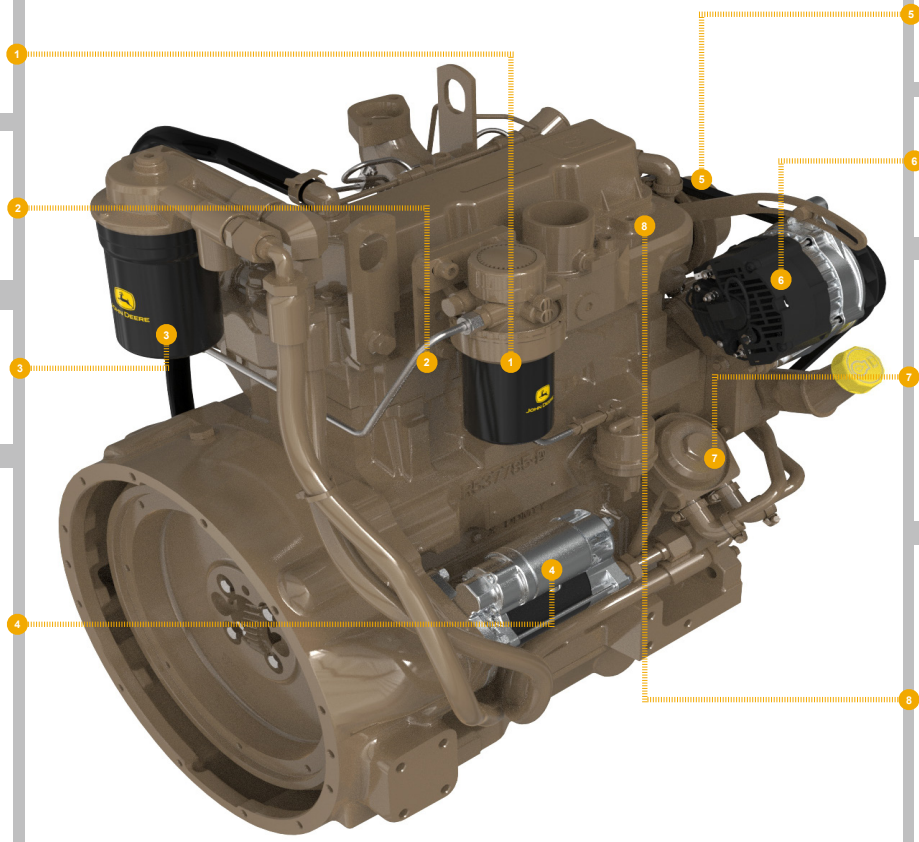




# REPLACEMENT PART GUIDE

## 3029DF160 PowerTech 2.9L OEM Engine



### PRIMARY FUEL FILTER



[RE60021](#) (3504, 3561, 3575)

500 hrs of operation or every 12 months.

### SHORT BLOCK ASSEMBLY



[RE502325](#)

(without Side Mounts) (Piston Pin Diameter = 32 mm)

### OIL FILTER



[T19044](#) (5908, 5914, 5999)

[RE59754](#) (5920)

500 hrs of operation or every 12 months.

### STARTER



[RE540300](#) (12V, 7KW) (3001)

[RE501693](#) (12V, 2.5KW) (3007)

[DZ110081](#) (12V, 3.4KW) (3008, 3010)

[DZ110082](#) (24V, 4KW) (3014, 3025, 3094)

[RE523502](#) (12V, 4.2KW) (3016, 3091)

[RE528929](#) (24V) (3026, 3066)

[RE516157](#) (12V, 3.2KW) (3081)

[RE519568](#) (12V, 3.2KW) (3083)

[DZ101853](#) (3039) INCLUDING SAFETY SIGN, LABEL, COVER, SOLENOID

### FAN PULLEY



[R110081](#) (OD = 154 mm) (2308)

[R76979](#) (OD = 106 mm) (2311)

[R87148](#) (OD = 172 mm) (2313)

### ALTERNATOR



[RE509106](#) (14V, 65A) (3113, 3123, 3143)

[RE544045](#) (28V, 50A) (3117, 3122)

[AL207585](#) (14V, 55A) (3126)

### CRANKSHAFT PULLEY



[R501223](#) (OD = 140 mm) (1308)

[R501222](#) (OD = 140 mm) (1312)

[R113425](#) (OD = 143 mm) (1313)

[R120262](#) (OD = 139 mm) (1314)

[R501214](#) (OD = 143 mm) (1315)

[R117011](#) (OD = 113 mm) (1330)

### FAN BELT



[T23526](#) (LGTH = 1257 mm) (2401)

[T24473](#) (LGTH = 1295 mm) (2402)

[R73785](#) (LGTH = 1465 mm) (2404)

[R73784](#) (LGTH = 1340 mm) (2410, 24AC, 24AD, 24AE)

[RE55793](#) (LGTH = 1300 mm) (2411)

[T20334](#) (LGTH = 1219 mm) (2413)

[R87153](#) (LGTH = 1390 mm) (2416)

[R505792](#) (LGTH = 1375 mm) (24BR)



**JOHN DEERE**

Genuine Parts and Service



# REMAN PARTS GUIDE

## 3029DF160 PowerTech 2.9L OEM Engine



### ALTERNATOR

[SE501835](#) (REMAN FOR [RE509106](#))  
(14V, 65A) (3113, 3123,3143)

[SE501372](#) (REMAN FOR [TY6686](#)) (3116)



### CONNECTING ROD

[SE501571](#) (REMAN FOR [RE501674](#)) (4809)



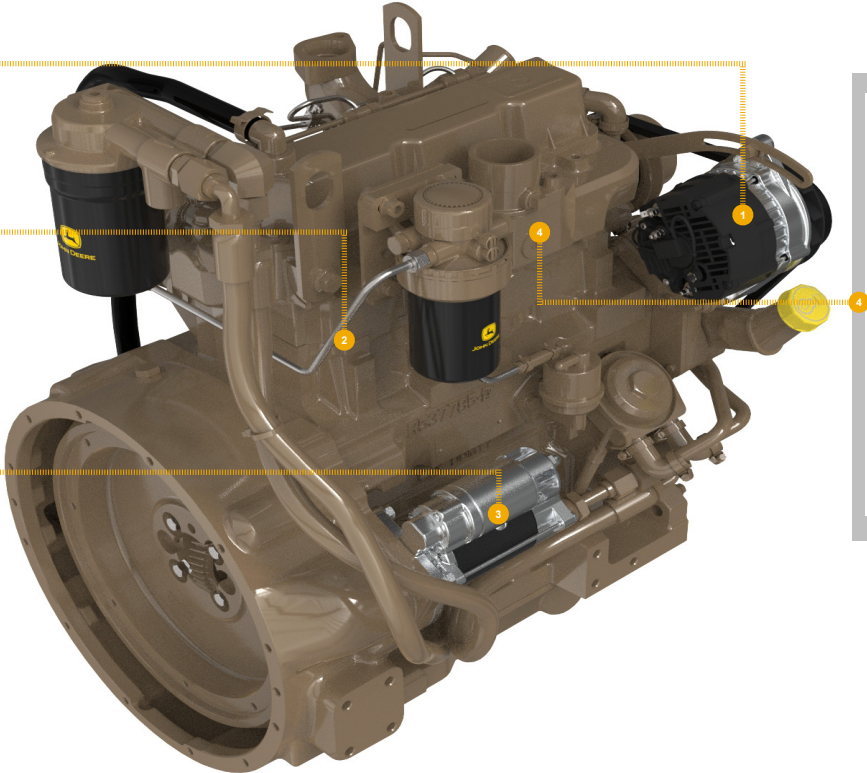
### STARTER

[SE501402](#) (REMAN FOR [RE540300](#))  
(12V, 7KW) (3001)

[SE501865](#) (REMAN FOR [RE501693](#))  
(12V, 2.5KW) (3007)

[SE502632](#) (REMAN FOR [RE523502](#))  
(12V, 4.2KW) (3016, 3091)

[SE501869](#) (REMAN FOR [RE519568](#))  
(12V, 3.2KW) (3083)



### COMPLETE BLOCK ASSEMBLY

#### [SE501483](#)

With Cylinder Block Option Code 4614 May not be as illustrated, Includes cylinder head with valves and rocker arm assembly, oil pump assembly, complete gasket kit with front and rear seals



#### [SE501487](#)

With Cylinder Block Option Code 4606 May not be as illustrated, Includes cylinder head with valves and rocker arm assembly, oil pump assembly, complete gasket kit with front and rear seals.