

PR-12
WET/DRY VAC



JOHN DEERE

**OPERATOR'S
MANUAL**



Contents

1	Important safety instructions	3
1.1	<i>Symbols used to mark instructions</i>	3
1.2	<i>Instructions for use</i>	3
1.3	<i>Purpose and intended use</i>	3
1.4	<i>Electrical connection</i>	3
1.5	<i>Extension lead</i>	3
1.6	<i>Guarantee</i>	3
1.7	<i>Tests and approvals</i>	3
1.8	<i>Important warnings</i>	4
1.9	<i>Double-insulated appliances*</i>	4
2	Risks	4-5
2.1	<i>Electrical components</i>	4
2.2	<i>Picking up liquids</i>	5
2.3	<i>Hazardous materials</i>	5
2.4	<i>Spare parts and accessories</i>	5
2.5	<i>Emptying dirt tank</i>	5
2.6	<i>In explosive or inflammable atmosphere</i> ...	5
3	Control / Operation	5-6
3.1	<i>Starting and operating of the machine</i>	5
3.2	<i>Before wet pick-up</i>	6
3.3	<i>Emptying after wet pick-up</i>	6
3.4	<i>Emptying after dry pick-up</i>	6
3.5	<i>Push&Clean</i>	6
4	After using the cleaner	6
4.1	<i>After use</i>	6
4.2	<i>Transport</i>	6
4.3	<i>Storage</i>	6
4.4	<i>Recycling the cleaner</i>	6
5	Maintenance	6
5.1	<i>Regular servicing and inspection</i>	6
5.2	<i>Maintenance</i>	6
6	Specification	7
7	Features	7
8	Accessories	8

1 Important safety instructions



This document contains the safety information relevant for the appliance along with a quick reference guide. Before starting up your vacuum cleaner for the first time, this instruction manual must be read through carefully. Save the instructions for later use.

Further support

Further information on the appliance can be found on our web site at www.deere.com. For further queries, please contact the John Deere service representative responsible for your country. See reverse of this document.

1.1 Symbols used to mark instructions

DANGER



Danger that leads directly to serious or irreversible injuries, or even death.

WARNING



Danger that can lead to serious injuries or even death.

CAUTION



Danger that can lead to minor injuries and damage.

1.2 Instructions for use

The appliance must:

- only be used by persons, who have been instructed in its correct usage and explicitly commissioned with the task of operating it
- only be operated under supervision
- This appliance is not intended for use by persons (including children) with reduced physical, sensory or mental capabilities, or lack of experience and knowledge.
- Children shall be supervised to make sure that they do not play with the appliance.
- Not be used by children
- Do not use any unsafe work techniques.
- Never use the vacuum cleaner without a filter.
- Switch off the appliance and disconnect the mains plug in the following situations:
 - Prior to cleaning and servicing
 - Prior to replacing components
 - Prior to changing over the appliance
 - If foam develops or liquid emerges

Besides the operating instructions and the binding accident prevention regulations valid in the country of use, observe recognised regulations for safety and proper use.

1.3 Purpose and intended use

This vacuum cleaner is designed, developed and rigorously tested to function efficiently and safely when properly maintained and used in accordance with the following instructions.

The appliance is suitable for commercial use, such as e.g. in

Hotels, Schools, Hospitals, Factories, Shops, Offices, Hire shops. Accidents due to misuse can only be prevented by those using the machine.

READ AND FOLLOW ALL SAFETY INSTRUCTIONS. See operating instructions.

This machine is suitable for picking up dry, non-flammable dust and liquids.

Any other use is considered as improper use. The manufacturer accepts no liability for any damage resulting from such use. The risk for such use is borne solely by the user. Proper use also includes proper operation, servicing and repairs as specified by the manufacturer.

1.4 Electrical connection

1. It is recommended that the vacuum cleaner should be connected via a residual current circuit breaker.
2. Arrange the electrical parts (sockets, plugs and couplings) and lay down the extension lead so that the protection class is maintained.
3. Connectors and couplings of power supply cords and extension leads must be watertight.

1.5 Extension lead

1. As an extension lead, only use the version specified by the manufacturer or one of a higher quality. See operating instructions.
2. When using an extension lead, check the minimum cross-sections of the cable:

Cable length	Cross section	
	< 16 A	< 25 A
up to 20 m	1.5 mm ²	2.5 mm ²
20 to 50 m	2.5 mm ²	4.0 mm ²

1.6 Guarantee

Our general conditions of business are applicable with regard to the guarantee.

Unauthorised modifications to the appliance, the use of incorrect brushes in addition to using the appliance in a way other than for the intended purpose exempt the manufacturer from any liability for the resulting damage.

1.7 Tests and approvals

Electrical tests must be performed in accordance with the provisions of safety regulations (BGV A3) and to DIN VDE 0701 Part 1 and Part 3. In accordance with DIN VDE 0702 these tests must be performed at regular intervals and after repairs or modifications.

1.8 Important warnings

WARNING



- To reduce the risk of fire, electric shock, or injury, please read and follow all safety instructions and caution markings before use. This vacuum cleaner is designed to be safe when used for cleaning functions as specified. Should damage occur to electrical or mechanical parts, the cleaner and / or accessory should be repaired by a competent service station or the manufacturer before use in order to avoid further damage to the machine or physical injury to the user.
- Do not leave the machine when it is plugged in. Unplug from the socket when not in use and before maintenance.
- Do not use with damaged cord or plug. To unplug grasp the plug, not the cord. Do not handle plug or cleaner with wet hands. Turn off all controls before unplugging.
- Do not pull or carry by cord, use cord as a handle, close a door on cord, or pull cord around sharp edges or corners. Do not run cleaner over cord. Keep cord away from heated surfaces.
- Keep hair, loose clothing, fingers and all parts of the body away from openings and moving parts. Do not put any objects into openings or use with opening blocked. Keep openings free of dust, lint, hair, and anything else that could reduce the flow of air.
- This machine is not suitable for picking up hazardous dust.
- Do not use to pick up flammable or combustible liquids such as gasoline, or use in areas where they may be present.
- Do not pick up anything that is burning or smoking, such as cigarettes, matches or hot ashes.
- Use extra care when cleaning on stairs.
- Do not use unless filters are fitted.
- If the cleaner is not working properly or has been dropped, damaged, left outdoors, or dropped into water, return it to a service center or dealer.
- If foam or liquid escapes from the machine, switch off immediately.
- The vacuum cleaner may not be used as a water pump. The vacuum cleaner is intended for vacuuming air and water mixtures.
- Connect the vacuum cleaner to a properly earthed mains supply. The socket outlet and the extension cable must have an operative protective conductor.
- Provide for good ventilation at the working place.

- Do not use the vacuum cleaner as a ladder or step ladder. The vacuum cleaner can tip over and become damaged. Danger of injury.

1.9 Double-insulated appliances*



CAUTION



- Use only as described in this manual and only with the manufacturer's recommended attachments.
- BEFORE YOU PLUG IN YOUR CLEANER, check the rating plate at the cleaner to see if the rated voltage agrees within 10% of the voltage available.
- This appliance is provided with double insulation. Use only identical replacement parts. See instructions for servicing double insulated appliances.

In a double-insulated appliance, two systems of insulation are provided instead of grounding. No grounding means is provided on a double-insulated appliance, nor should a mean for grounding be added to the appliance. Servicing a double-insulated appliance requires extreme care and knowledge of the system, and should be done only by qualified service personnel. Replacement parts for a double-insulated appliance must be identical to the parts they replace. A double insulated appliance is marked with the words "DOUBLE INSULATION" or "DOUBLE INSULATED." The symbol (square within a square) may also be used on the product. The machine is equipped with a specially designed cord which if damaged, must be replaced by a cord of the same type. This is available at authorised service centres and dealers and must be installed by trained personnel.

2 Risks

2.1 Electrical components

DANGER



- The upper section of the vacuum cleaner contains live components. Contact with live components leads to serious or even fatal injuries.
- Never spray water on to the upper section of the vacuum cleaner.

DANGER



- Electric shock due to faulty mains connecting lead. Touching a faulty mains connecting lead can result in serious or even fatal injuries.
- Do not damage the mains power lead (e.g. by driving over it, pulling or crushing it).
 - Regularly check whether the power cord is damaged or shows signs of ageing.

- If the electric cable is damaged, it must be replaced by an authorized John Deere distributor or similar qualified person in order to avoid a hazard.
- Have the faulty mains connecting lead replaced by your John Deere service representative or a qualified electrician prior to using the appliance again.
- In no circumstances should the power supply cord be wrapped around fingers or any part of the operators person.

CAUTION



Damage due to unsuitable main voltage. The appliance can be damaged as a result of being connected to an unsuitable main voltage.

- Ensure that the voltage shown on the rating plate corresponds to the voltage of the local mains power supply.

2.2 Picking up liquids

CAUTION



Picking up liquids. Do not pick up flammable liquids

- Before liquids are picked up, always remove the filter bag/wastebag and check that the float or the water level limit works properly.
- The use of a separate filter element or filter screen is recommended.
- If foam appears, stop work immediately and empty the tank.

2.3 Hazardous materials

WARNING



Hazardous materials. Vacuuming up hazardous materials can lead to serious or even fatal injuries

- The following materials must not be picked up by the vacuum cleaner:
- hazardous dust
- hot materials (burning cigarettes, hot ash, etc.)
- flammable, explosive, aggressive liquids (e.g. petrol, solvents, acids, alkalis, etc.)
- flammable, explosive dust (e.g. magnesium or aluminium dust, etc.)

2.4 Spare parts and accessories

CAUTION



Spare parts and accessories. The use of non-genuine spare parts and accessories can impair the safety of the appliance.

- Only use spare parts and accessories from John Deere.
- Use only the brushes supplied with the vacuum cleaner or specified in the operating manual.

2.5 Emptying dirt tank

CAUTION



Picking up environmentally hazardous materials. Materials picked up can present a hazard to the environment.

- Dispose of the dirt in accordance with legal regulations.

2.6 In explosive or inflammable atmosphere

CAUTION



This machine is not suitable for use in explosive or inflammable atmospheres or where such atmospheres are likely to be produced by the presence of volatile liquid or inflammable gas or vapour.

3 Control / Operation

3.1 Starting and operating of the machine

Check that the electrical switch is switched off (in position 0). Check that suitable filters are installed in the machine. Then connect the suction hose into the suction inlet at the machine by pushing the hose forward until it fits firmly in place at the inlet. Then connect the two tubes with the hose handle, twist the tubes in order to ensure that they are properly fitted. Attach suitable nozzle to the tube. Choose nozzle depending on what type of material that is to be picked-up. Connect the plug into a proper electrical outlet. Put the electrical switch into position 1 in order to start the motor.



Press I : Activate the machine
Press 0 : Stop the machine



Press I : Activate the machine - turn clockwise for speed control
Press 0 : Stop the machine

3.2 Before wet pick-up

CAUTION



The machine is equipped with a float system that shuts off the airflow through the machine when the maximum liquid level is reached. You will hear a noticeable change of the sound from the motor and notice that the suction power decreases. When this occurs, switch the machine off. Disconnect the machine from the socket. Never pick up liquid without the float body in place.

3.3 Emptying after wet pick-up

Before emptying the container, unplug the vacuum cleaner. Disconnect the hose from the inlet by pulling out the hose. Release the latch by pulling them out-

wards so that the motor top is released. Open up the motor top from container. Always empty and clean the container and the float system after picking-up liquids. Never pick up liquid without the float system and filter installed in the machine. Empty by tilting the container backwards and pour the liquids into a floor drain or similar.

Put back the motor top to the container. Secure the motor top with the latches.

3.4 Emptying after dry pick-up

Remove the electrical plug from the socket before emptying after dry pick-up. Check the filters and dustbag regularly. Release the latch by pulling them outwards so that the motor top is released. Open up the motor top from container.

Cartridge filter: To clean the filter you can either shake, brush or wash it. Wait until it is dry before you reuse it.

Dustbag: check bag to ensure the fill factor. Replace dust bag if necessary. Remove the old bag. The new bag is fitted by passing the cardboard piece with the rubber membrane through the vacuum inlet. Make sure that the rubber membrane is passing past the heightening at the vacuum inlet.

After emptying: Close motor top to the container and secure the motor top with the latches. Never pick up dry material without cartridge filter and dustbag fitted in the machine. The suction efficiency of the vacuum cleaner depends on the size and quality of the filter and dust bag. Therefore - use only Original filter and dust bags.

If this vacuum cleaner is used to collect hazardous material, do not attempt to open or empty its contents without personal protective clothing and respiratory protection. This procedure must be completed in a contained environment. Contact with the cleaner, filters and all other accessories used when picking-up hazardous materials must be handled according to federal (EPA, OSHA), state and local regulations valid for the vacuumed substance.

3.5 Push&Clean

The machine is equipped with a semi automatic filter cleaning system. Push&Clean. The filter cleaning system must be actuated latest when the vacuuming performance is no longer sufficient. Regular use of the filter cleaning feature increases the tool life of the filter.

4 After using the cleaner

4.1 After use

Remove the plug from the socket when machine is not in use. Wind up the cord starting from the machine. The power cord can be wound up around the motor top or at the container. Some variants have special storage places for accessories.

4.2 Transport

- Before transporting the dirt tank, close all the locks.
- Do not tilt the cleaner if there is liquid in the dirt tank.
- Do not use a crane hook to lift the cleaner.

4.3 Storage

- Store the appliance in a dry place, protected from rain and frost.
- The machine shall be stored indoors only.

4.4 Recycling the cleaner

Make the old cleaner unusable immediately.

1. Unplug the cleaner.
2. Cut the power cord.
3. Do not discard of electrical appliances with household waste.

Discard the used vacuum cleaner in line with federal, state, province and/or local regulations.

5 Maintenance

5.1 Regular servicing and inspection

Regular servicing and inspection of your machine must be carried out by suitably qualified personnel in accordance with relevant legislation and regulations. In particular, electrical tests for earth continuity, insulation resistance, and condition of the flexible cord should be checked frequently.

In the event of any defect, the machine MUST be withdrawn from service, completely checked and repaired by an authorized service technician.

5.2 Maintenance

Remove the plug from the socket before performing maintenance. Before using the machine make sure that the frequency and voltage shown on the rating plate correspond with the mains voltage.

The cleaner is designed for continuous heavy work. Depending on the number of running hours – the dust filter should be cleaned or replaced. Keep the vacuum cleaner clean with a dry cloth, and a small amount of spray polish.

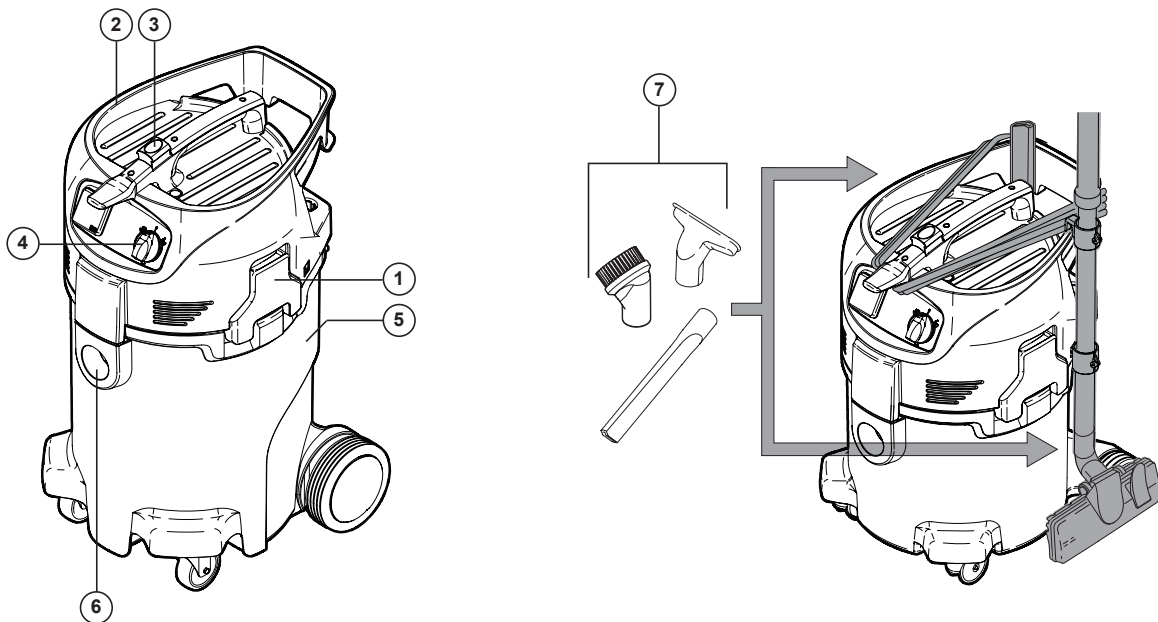
For details of after sales service contact your dealer or John Deere service representative responsible for your country. See reverse of this document.

6 Specifications

		PR-12
Possible voltage	V	120
Power P _{iec}	W	1000
Mains frequency	Hz	60
Fuse	A	15
Protection grade (moist, dust)		IPX4
Protection class (electrical)		I
Airflow	l/min m ³ /h	3200 192
Vacuum	kPa	23
Sound pressure level 1 m, EN 60704-1	dB(A)+/-2	62
Working sound level	dB(A)+/-2	59
Vibration ISO 5349	m/s ² +/-1	<2,5
Weight	kg	10

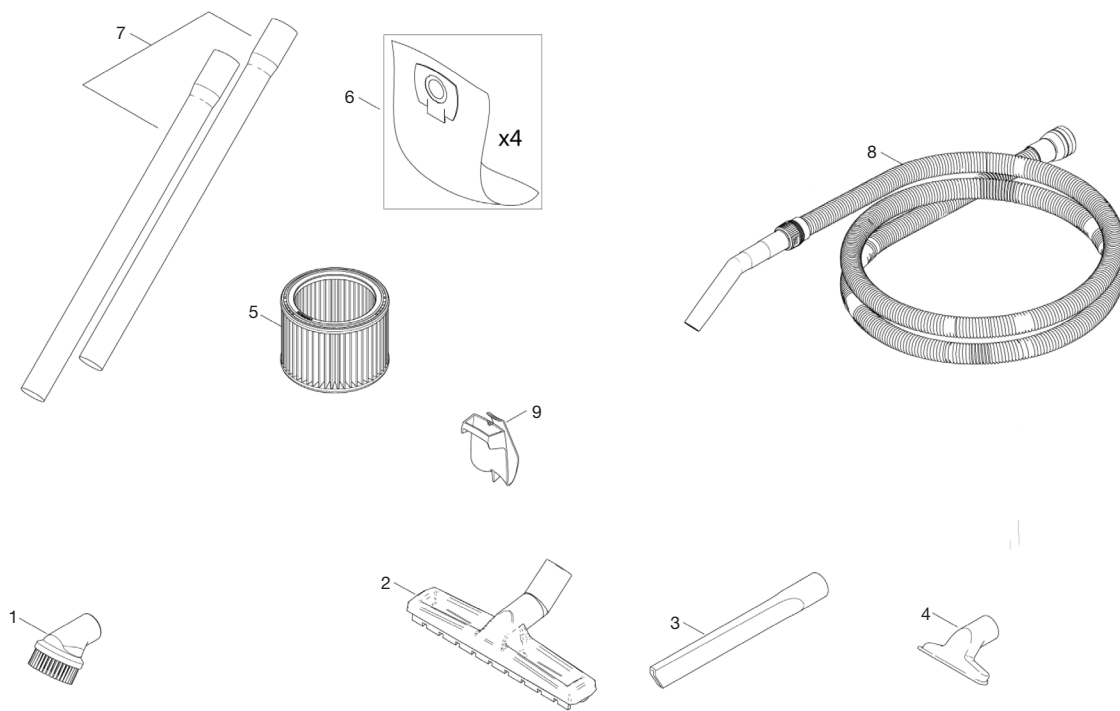
Specifications and details are subject to change without prior notice.

7 Features



- | | |
|-------------------|-------------------|
| 1. Side Latches | 5. Canister |
| 2. Canister Lid | 6. Suction Intake |
| 3. Push and Clean | 7. Accessories |
| 4. On/Off Switch | |

8 Accessories



ACCESSORIES		
1	BRUSH SUCTION BLOCK	33-0606
2	FLOOR NOZZLE	33-0603
3	CREVICE NOZZLE	33-0605
4	UNIVERSAL NOZZLE	33-0604
5	FILTER ELEMENT	19-0288
6	FILTER BAG	19-0290
7	SUCTION PIPE, 2 X 50MM	16-0484
8	VACUUM HOSE	15-0372
9	HOSE/CABLE HOOK	33-0607

Table des matières

1	Consignes de sécurité importantes	11
1.1	<i>Symboles utilisés pour le signallement des instructions.....</i>	11
1.2	<i>Instructions d'utilisation.....</i>	11
1.3	<i>Objet et utilisation prévue</i>	11
1.4	<i>Raccordement électrique.....</i>	11
1.5	<i>Rallonge.....</i>	11
1.6	<i>Garantie</i>	12
1.7	<i>Essais et agréments</i>	12
1.8	<i>Avertissements importants.....</i>	12
1.9	<i>Appareils à double isolation*</i>	12
2	Risques	13
2.1	<i>Composants électriques</i>	13
2.2	<i>Aspiration de liquides.....</i>	13
2.3	<i>Substances dangereuses</i>	13
2.4	<i>Pièces de rechange et accessoires</i>	13
2.5	<i>Vider le réservoir à saletés</i>	13
2.6	<i>Dans une atmosphère explosive ou inflammable</i>	14
3	Commande / fonctionnement	14
3.1	<i>Mise en marche et utilisation de la machine</i>	14
3.2	<i>Avant l'aspiration humide.....</i>	14
3.3	<i>Vidange du réservoir après aspiration humide.....</i>	14
3.4	<i>Vidange du réservoir après aspiration sèche</i>	14
3.5	<i>Push&Clean</i>	14
4	Après l'utilisation de l'aspirateur	15
4.1	<i>Après utilisation</i>	15
4.2	<i>Transport.....</i>	15
4.3	<i>Entreposage</i>	15
4.4	<i>Recyclage de l'aspirateur.....</i>	15
5	Maintenance	15
5.1	<i>Maintenance et inspection régulières</i>	15
5.2	<i>Maintenance</i>	15
6	Spécifications	16
7	Caractéristiques	16
8	Accessoires	17

1 Consignes de sécurité importantes



Ce document contient les consignes de sécurité pertinentes pour l'appareil ainsi qu'un guide de référence rapide. Veuillez lire attentivement ce manuel d'utilisation avant la première utilisation de votre aspirateur. Conservez les instructions pour consultation ultérieure.

Assistance supplémentaire

Pour des informations supplémentaires au sujet de cet appareil, consultez notre site internet à l'adresse www.Deere.com.

Pour toute autre question, contactez le service clientèle John Deere en charge de votre pays. Voir verso du présent document.

1.1 Symboles utilisés pour le signalement des instructions

DANGER



Danger qui peut se traduire directement par des blessures graves ou irréversibles, voire même un décès.

AVERTISSEMENT



Danger qui peut se traduire par des blessures graves voire même un décès.

ATTENTION



Danger qui peut se traduire par des blessures légères et des dommages.

1.2 Instructions d'utilisation

L'appareil doit :

- uniquement être utilisé par des personnes qui ont été formées correctement à son usage et à qui l'on a explicitement confié la tâche de l'utiliser ;
- uniquement être utilisé sous surveillance.
- Cet appareil n'est pas destiné à être utilisé par des personnes (enfants inclus) aux capacités physiques, sensorielles ou mentales réduites, ou manquant d'expérience ou de connaissances.
- Les enfants devront être surveillés pour faire en sorte qu'ils ne jouent pas avec l'appareil.
- Pas être utilisé par des enfants
- Ne pas utiliser de techniques de travail à risque.
- Ne jamais utiliser l'aspirateur sans y avoir placé un filtre.
- Mettre l'appareil hors tension et débrancher la fiche dans les situations suivantes :

- Avant le nettoyage et la maintenance
- Avant de procéder au remplacement de composants
- Avant de déplacer l'appareil
- Si de la mousse se forme ou du liquide fuit

En dehors des instructions d'utilisation et des réglementations de prévention des accidents applicables obligatoirement dans le pays d'utilisation, observer les règles admises de sécurité et de conformité d'utilisation.

1.3 Objet et utilisation prévue

Cet aspirateur a été conçu, développé et soumis à des tests stricts pour fonctionner de manière efficace et sûre lorsqu'il est correctement entretenu et utilisé conformément aux instructions ci-après.

L'appareil convient à l'usage industriel, p. ex. dans hôtels, écoles, hôpitaux, usines, magasins, bureaux, agences de location. Les accidents dus à une mauvaise utilisation ne peuvent être évités que par ceux qui utilisent la machine.

LISEZ ET SUIVEZ LES INSTRUCTIONS DE SÉCURITÉ. Voir notice d'utilisation.

Cette machine convient pour recueillir de la poussière sèche et non inflammable ainsi que des liquides.

Toute autre utilisation est considérée comme non-conforme. Le fabricant ne pourra pas être tenu pour responsable des dommages liés à une telle utilisation. Ce risque est uniquement supporté par l'utilisateur. L'utilisation correcte inclut le bon fonctionnement, la maintenance et les réparations spécifiés par le fabricant.

1.4 Raccordement électrique

1. Il est recommandé de raccorder l'aspirateur par un coupe-circuit à courant résiduel.
2. Les éléments électriques (fiches, prises et accouplements) et la rallonge doivent être disposés de sorte à garantir la classe de protection.
3. Les connecteurs et accouplements des cordons d'alimentation ainsi que les rallonges doivent être étanches à l'eau.

1.5 Rallonge

1. La rallonge doit répondre ou être supérieure aux spécifications imposées par le fabricant. Voir notice d'utilisation.
2. Si une rallonge est utilisée, il faut contrôler la section minimale du câble :

Longueur du câble	Section	
	< 16 A	< 25 A
jusqu'à 20 m	1,5 mm ²	2,5 mm ²
de 20 à 50 m	2,5 mm ²	4,0 mm ²

1.6 Garantie

En ce qui concerne la garantie, nos conditions générales de vente sont applicables.

Les modifications non autorisées apportées à l'appareil, l'utilisation de brosses incorrectes et l'utilisation de l'appareil à des fins autres que celles décrites exemptent le fabricant de toute responsabilité quant au dommage qui en découle.

1.7 Essais et agréments

Des contrôles électrotechniques doivent être effectués conformément aux règlements de prévention des accidents («BGV A3») et à DIN VDE 0701, parties 1 et 3. La norme DIN VDE 0702 impose ces contrôles à intervalles réguliers et après une réparation ou une modification..

1.8 Avertissements importants

AVERTISSEMENT



- Pour réduire les risques d'incendie, d'électrocution ou de blessures, veuillez lire et respecter toutes les instructions de sécurité et les consignes de prudence avant de l'utiliser. Cet aspirateur est conçu pour être utilisé en toute sécurité dans le cadre des fonctions de nettoyage spécifiées. En cas de dommages sur des parties électriques ou mécaniques, l'aspirateur et / ou les accessoires doivent être réparés par un service technique qualifié ou le fabricant avant utilisation afin d'éviter d'autres dommages à l'appareil ou des blessures physiques à l'utilisateur.
- Ne laissez pas l'appareil sans surveillance lorsqu'il est branché. Débranchez-le de la prise lorsqu'il n'est pas utilisé et avant la maintenance.
- Ne pas utiliser l'appareil si le cordon ou la fiche d'alimentation électrique est endommagé. Pour le débrancher, saisissez la fiche et pas le cordon. Évitez de manipuler la fiche ou l'aspirateur avec des mains mouillées. Éteignez toutes les commandes avant de débrancher l'appareil.
- Ne pas tirer ou transporter par le cordon, ne pas utiliser le cordon comme une poignée, ne pas écraser le cordon sous une porte, ne pas tirer le cordon autour de bords ou coins tranchants. Ne pas faire rouler l'aspirateur sur le cordon. Éloignez le cordon des surfaces chauffées.
- Tenez les cheveux, les vêtements amples, les doigts et toutes les parties du corps distance des ouvertures et des parties mobiles. Ne pas insérer d'objets dans les ouvertures ou ne pas utiliser avec les ouvertures bloquées. Veillez à ce que les ouvertures ne soient jamais obstruées par de la poussière, de la peluche, des cheveux ou quoi que ce soit risquant de

réduire le flux d'air.

- Cet appareil n'est pas adapté pour ramasser des poussières dangereuses.
- Ne pas se servir de la machine pour ramasser des liquides inflammables ou combustibles, comme de l'essence, et ne pas l'utiliser dans un environnement dans lequel de tels liquides pourraient être présents.
- N'aspirez rien qui soit en train de fumer ou de brûler (par ex. cigarettes, allumettes ou cendres chaudes).
- Faire plus d'attention pendant le nettoyage des escaliers.
- Ne pas utiliser l'appareil s'il n'est pas équipé de filtres.
- Si l'aspirateur ne fonctionne pas correctement, a fait l'objet d'une chute, a été endommagé, laissé en plein air ou immergé, le retourner dans un centre technique ou un distributeur.
- En cas de production de mousse ou de sortie de liquide de la machine, arrêtez immédiatement l'aspirateur.
- L'aspirateur ne peut pas être utilisé comme pompe à eau. L'aspirateur a été conçu pour aspirer de l'air et des mélanges contenant de l'eau.
- Connectez l'aspirateur à une alimentation électrique correctement reliée à la terre. La prise de courant et la rallonge doivent être dotées d'un conducteur de terre.
- Assurez une ventilation suffisante du lieu de travail.
- N'utilisez pas l'aspirateur sur une échelle ou un escabeau. L'aspirateur pourrait basculer et subir des dommages. Risque de blessure.

1.9 Appareils à double isolation*



ATTENTION



- L'appareil ne doit pas servir à d'autres applications que celles décrites dans ce mode d'emploi et uniquement avec les accessoires recommandés par le fabricant.
- AVANT DE BRANCHER VOTRE ASPIRATEUR, vérifiez que la tension nominale indiquée sur la plate signalétique de l'aspirateur correspond à 10 % de la tension disponible.
- Cet appareil est doté d'une double isolation. Utilisez uniquement des pièces de rechange identiques. Voir les instructions pour l'entretien des appareils à double isolation.

Un appareil à double isolation est pourvu de deux systèmes d'isolation au lieu de la mise à la terre.

Un produit à double isolation n'est pourvu d'aucun moyen de mise à la terre et aucun moyen de mise à la terre ne devrait être ajouté à l'appareil. L'entretien d'un appareil à double isolation demande un grand soin et une connaissance du système et devrait être effectué seulement par des techniciens qualifiés. Les pièces de rechange pour un appareil à double isolation doivent être égales aux pièces à remplacer. Un appareil à double isolation est marqué par les mots « DOUBLE ISOLATION ». Le symbole (un carré dans un carré) peut aussi être utilisé sur le produit.

La machine est équipée d'un cordon spécialement conçu qui, si endommagé, doit être remplacé par un cordon du même type. Il est disponible dans les centres de service et les distributeurs agréés et doit être installé par un personnel qualifié.

2 Risques

2.1 Composants électriques

DANGER



La section supérieure de l'aspirateur intègre des composants sous tension. Les composants sous tension peuvent conduire à des blessures graves voire même mortelles.

- Ne jamais pulvériser de l'eau sur la section supérieure de l'aspirateur.

DANGER



Choc électrique dû à un cordon d'alimentation abîmé. Le fait de toucher un cordon d'alimentation abîmé peut entraîner des blessures graves voire mortelles.

- Ne pas endommager le cordon d'alimentation, par ex. ne pas rouler ni tirer dessus, ne pas le pincer.
- Vérifier régulièrement si le cordon d'alimentation est endommagé ou montre des signes d'usure.
- Si le câble électrique est endommagé, il doit être remplacé par un distributeur John Deere agréé ou une personne qualifiée similaire afin de prévenir tout risque.
- Avant de continuer à vous servir de l'appareil, faites remplacer le cordon défectueux de raccordement au secteur par le service après-vente de John Deere ou par un électricien.
- Ne jamais enrouler le cordon d'alimentation autour des doigts ou de toute autre partie du corps de l'opérateur.

ATTENTION



Domages dus à une tension d'alimentation incorrecte. Le fait de connecter l'appareil à une tension d'alimentation incorrecte peut l'endommager.

- Veiller à ce que la tension affichée sur la plaque signalétique corresponde à la tension de l'alimentation secteur locale.

2.2 Aspiration de liquides

ATTENTION



Aspirer des liquides.

Ne pas aspirer de liquides inflammables.

- Avant d'aspirer des liquides, toujours retirer le sac-filtre/sac à déchets et vérifier que le flotteur ou le limiteur de niveau d'eau fonctionne correctement.
- L'utilisation d'un élément filtrant ou d'un tamis de filtre séparé est recommandée.
- Si de la mousse se forme, arrêter immédiatement le travail et vider le réservoir.

2.3 Substances dangereuses

AVERTISSEMENT



Substances dangereuses.

Passer l'aspirateur sur des substances dangereuses peut provoquer des blessures graves, voire même mortelles.

- Les substances suivantes ne doivent pas être aspirées par l'aspirateur :
- poussière dangereuse
- déchets chauds (cigarettes allumées, cendres chaudes, etc.)
- liquides inflammables, explosifs, agressifs (par ex. essence, solvants, acides, alcalis, etc.)
- poussière inflammable, explosive (par ex. poussière de magnésium ou d'aluminium, etc.)

2.4 Pièces de rechange et accessoires

ATTENTION



Pièces de rechange et accessoires.

L'utilisation de pièces de rechange et d'accessoires non originaux peut avoir une influence négative sur la sécurité de l'appareil.

- Seuls les accessoires et pièces de rechange John Deere sont autorisés.
- Il faut utiliser uniquement les brosses fournies avec l'aspirateur ou spécifiées dans le mode d'emploi.

2.5 Vider le réservoir à saletés

ATTENTION



Aspiration de matériaux dangereux pour l'environnement.

Les matériaux aspirés peuvent présenter un risque pour l'environnement.

- Éliminer les saletés conformément aux réglementations légales.

2.6 Dans une atmosphère explosive ou inflammable

ATTENTION



Cette machine n'est pas conçue pour être utilisée dans une atmosphère explosive ou inflammable ou dans des atmosphères susceptibles de le devenir suite à la présence de liquides volatils ou de gaz ou vapeurs inflammables.

3 Commande / fonctionnement

3.1 Mise en marche et utilisation de la machine

Vérifiez que l'interrupteur électrique est sur la position arrêt (position 0). Vérifiez que les filtres adaptés sont installés sur la machine. Connectez ensuite le flexible d'aspiration dans l'entrée d'aspiration de la machine en poussant sur le flexible pour le fixer fermement dans l'entrée. Connectez ensuite les deux tubes avec la poignée du flexible et faites tourner les tubes afin de vous assurer qu'ils sont fixés correctement. Placez une buse adaptée sur le tube. Le choix de la buse se fait en fonction du type de matériau à aspirer. Branchez la fiche dans une prise électrique adaptée. Placez l'interrupteur électrique sur la position 1 afin de faire démarrer le moteur.



Appui sur I: mise en marche de la machine
Appui sur 0: arrêt de la machine



Appui sur I: mise en marche de la machine ;
tournez le bouton dans le sens horaire pour contrôler la vitesse
Appui sur 0: arrêt de la machine

3.2 Avant l'aspiration humide

ATTENTION



La machine est dotée d'un système de flotteur qui coupe le débit d'air de la machine lorsque le niveau de liquide max. est atteint. Vous entendrez un changement au niveau du bruit émis par le moteur et la puissance d'aspiration se réduira. Lorsque cela se produit, coupez la machine. Débranchez la machine de la prise. N'aspirez jamais de liquide sans avoir installé le flotteur.

3.3 Vidange du réservoir après aspiration humide

Avant de vider le réservoir, débranchez l'aspirateur. Déconnectez le flexible de l'entrée en tirant sur le flexible. Détachez les loquets en les tirant vers l'extérieur afin de libérer la partie supérieure du moteur. Ouvrez la partie supérieure du moteur du réservoir. Videz et nettoyez le réservoir et le système de flotteur après avoir aspiré des liquides. N'aspirez jamais de liquides sans avoir installé le système de flotteur

et le filtre dans la machine.

Pour procéder à la vidange, inclinez le réservoir vers l'arrière et versez les liquides dans une bouche d'évacuation ou similaire.

Remplacez la partie supérieure du moteur sur le réservoir. Sécurisez la partie supérieure du moteur avec les loquets.

3.4 Vidange du réservoir après aspiration sèche

Retirez la fiche de la prise avant de procéder à la vidange du réservoir après aspiration sèche. Contrôlez régulièrement les filtres et le sac à poussière. Détachez les loquets en les tirant vers l'extérieur afin de libérer la partie supérieure du moteur. Ouvrez la partie supérieure du moteur du réservoir.

Filtre à cartouche : Pour nettoyer le filtre, vous pouvez le secouer, le brosser ou le laver. Attendez qu'il soit sec avant de le réutiliser.

Sac à poussière : contrôlez le sac afin de vous assurer de son niveau de remplissage. Remplacez le sac à poussière si nécessaire. Retirez l'ancien sac. Le nouveau sac est installé en passant la pièce de carton avec membrane en caoutchouc dans l'entrée d'aspiration. Veillez à ce que la membrane en caoutchouc passe le rebord de l'entrée d'aspiration.

Après la vidange : Fermez la partie supérieure du moteur du réservoir et sécurisez la partie supérieure du moteur à l'aide des loquets. N'aspirez jamais de matériaux secs sans avoir installé le filtre à cartouche et le sac à poussière dans la machine. La puissance d'aspiration de l'aspirateur dépend de la taille et de la qualité du filtre et du sac à poussière. Utilisez exclusivement des filtres et sacs de rechange d'origine.

Si cet aspirateur est utilisé pour l'aspiration de substances dangereuses, n'essayez pas de l'ouvrir ou de vider son contenu sans vêtements de protection et protection respiratoire. La vidange doit être exécuté dans un environnement isolé. Tout contact avec l'aspirateur, les filtres et autres accessoires utilisés pour l'aspiration des substances dangereuses doit être effectué conformément aux réglementations locales, nationales et fédérales (EPA, OSHA) relatives aux substances aspirées.

3.5 Push&Clean

La machine est dotée d'un système de nettoyage du filtre semi-automatique. Push&Clean. Le système de nettoyage du filtre doit être activé au plus tard lorsque la performance d'aspiration se réduit. Une utilisation régulière de la fonction de nettoyage du filtre permet d'augmenter la durée de vie de l'appareil et du filtre.

4 Après l'utilisation de l'aspirateur

4.1 Après utilisation

Débrancher la fiche de la prise lorsque la machine n'est pas en cours d'utilisation. Enrouler le cordon en commençant par le côté proche de la machine. Le cordon peut être enroulé autour de la partie supérieure du moteur ou du réservoir. Certains modèles sont dotés d'emplacements de rangement spéciaux pour les accessoires.

4.2 Transport

- Avant de transporter le réservoir à saletés, il faut fermer tous les verrouillages.
- Ne pas incliner l'aspirateur si le réservoir à saletés contient des liquides.
- Ne pas utiliser de crochet de grue pour soulever l'aspirateur.

4.3 Entreposage

- Entreposer l'appareil dans un endroit sec, à l'abri de la pluie et du gel.
- Cette machine doit exclusivement être entreposée à l'intérieur de locaux.

4.4 Recyclage de l'aspirateur

Mettre l'ancien nettoyeur hors d'état de fonctionner.

1. Débrancher la machine.
2. Couper le cordon d'alimentation.
3. Ne pas jeter les appareils électriques avec les déchets domestiques.

Jeter l'aspirateur utilisé conformément aux lois fédérales, provinciales, nationales et / ou les réglementations locales.

5 Maintenance

5.1 Maintenance et inspection régulières

La machine doit être maintenue et inspectée régulièrement par du personnel agréé conformément à la législation et aux réglementations en vigueur. Il y a lieu en particulier d'effectuer des tests électriques fréquents concernant la continuité à la terre, la résistance d'isolation et l'état du cordon.

En cas de défaut, la machine DOIT être mise hors service, contrôlée entièrement et réparée par un technicien agréé.

5.2 Maintenance

Retirez le câble d'alimentation de la prise de courant pendant la maintenance. Avant d'utiliser l'aspirateur, vérifiez que la tension affichée sur la plaque signalétique correspond à la tension de l'alimentation secteur.

L'aspirateur est conçu pour une utilisation intensive et continue. Selon le nombre d'heures de fonctionnement, le filtre à poussière doit être remplacé. Nettoyez l'aspirateur avec un chiffon sec et une petite quantité de vernis pulvérisé.

Pour plus de détails sur le service après-vente, contactez votre distributeur

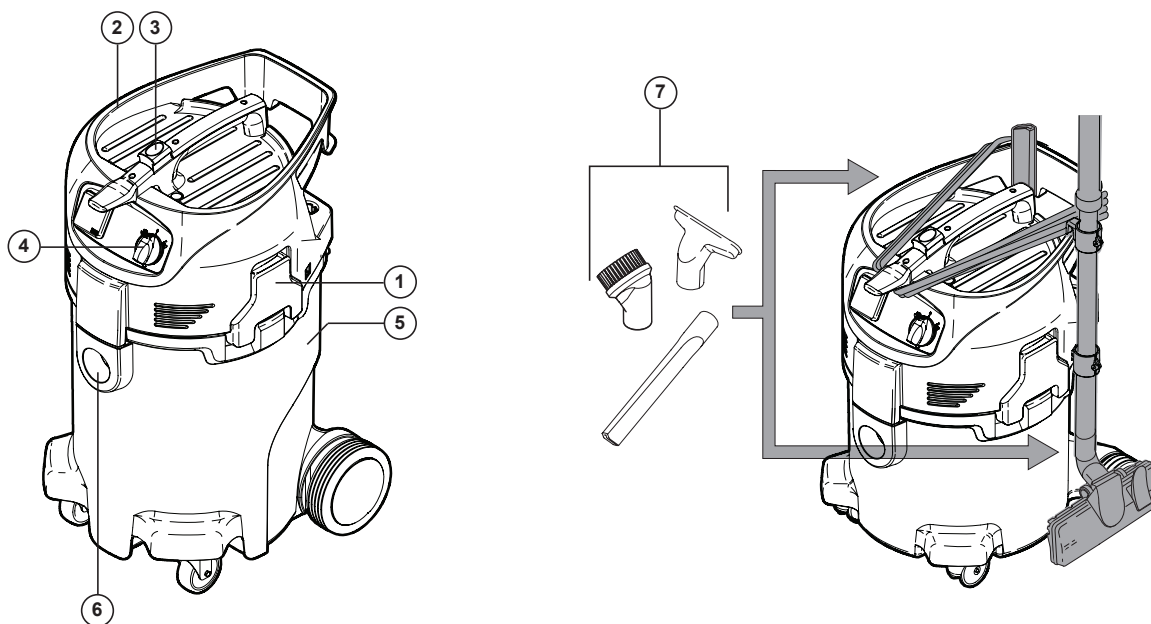
ou le service clientèle John Deere en charge de votre pays. Voir verso du présent document.

6 Spécifications

		PR-12
Tension autorisée	V	120
Consommation P _{cei}	W	1000
Fréquence de réseau	Hz	50/60
Fusible	A	15
Niveau de protection (humidité, poussières)		IP24
Classe de protection (électrique)		I
Débit d'air	l/min m ³ /h	3600 216
Vide	kPa	21
Niveau sonore de la surface de référence mesuré à une distance de 1 m, EN 60704-1	dB(A)+/-2	72
Bruit de travail	dB(A)+/-2	64
Vibration ISO 5349	m/s ² +/-1	<1,5
Poids	kg	9

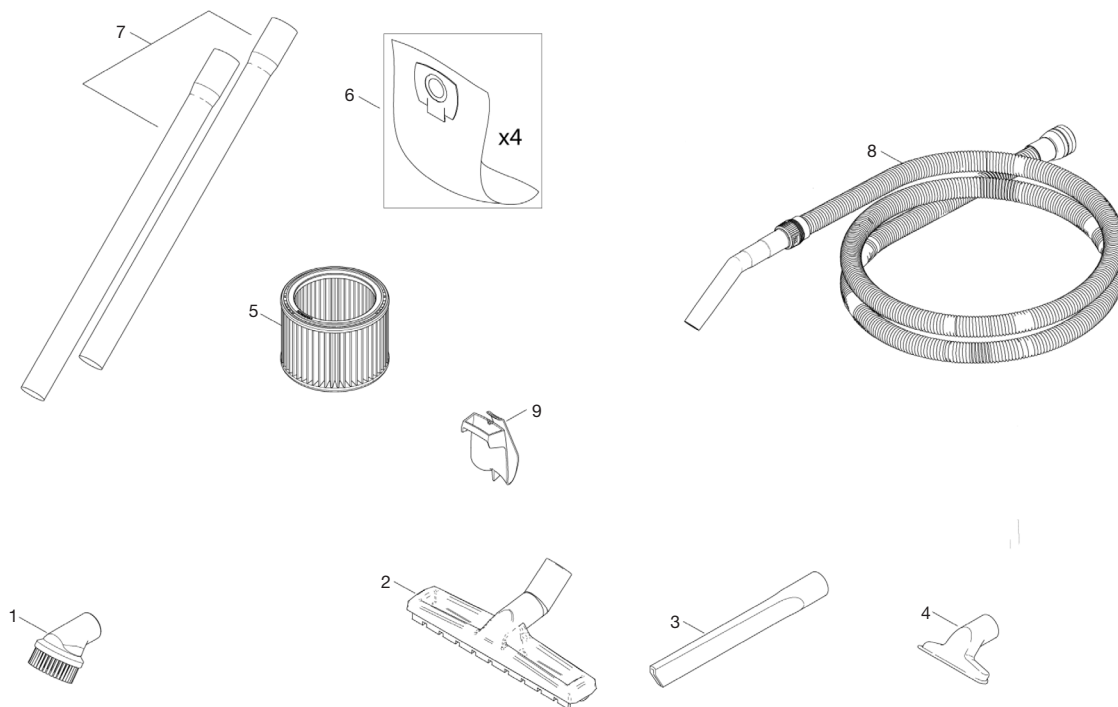
Ces spécifications et détails sont susceptibles d'être modifiés sans préavis.

7 Caractéristiques



- | | |
|---------------------------------------|-------------------------|
| 1. Attaches Latérales | 5. Cuve |
| 2. Couvercle de la cuve | 6. Orifice d'aspiration |
| 3. Push and Clean | 7. Accessories |
| 4. Interrupteur Marche/Arrêt (On/Off) | |

8 Accessoires



ACCESSOIRES		
1	BROSSE D'ASPIRATION NOIRE	33-0606
2	SUCEUR PARQUET	33-0603
3	SUCEUR PLAT	33-0605
4	SUCEUR UNIVERSEL	33-0604
5	ELÉMENT FILTRANT	19-0288
6	SAC-FILTRE	19-0290
7	TUYAU D'ASPIRATION, 2 X 50MM	16-0484
8	TUYAU D'ASPIRATEUR	15-0372
9	CROCHET TUYAU/CÂBLE	33-0607

Índice

1	Instrucciones de seguridad importantes	20
1.1	<i>Símbolos que se usan para indicar instrucciones.....</i>	20
1.2	<i>Instrucciones de uso.....</i>	20
1.3	<i>Propósito y uso.....</i>	20
1.4	<i>Conexión eléctrica.....</i>	20
1.5	<i>Alargador.....</i>	20
1.6	<i>Garantía.....</i>	20
1.7	<i>Pruebas y certificados de aprobación.....</i>	20
1.8	<i>Advertencias importantes</i>	21
1.9	<i>Aparatos con doble aislamiento*</i>	21
2	Riesgos	21-22
2.1	<i>Componentes eléctricos.....</i>	21
2.2	<i>Recoger líquidos.....</i>	22
2.3	<i>Materiales peligrosos.....</i>	22
2.4	<i>Piezas de repuesto y accesorios.....</i>	22
2.5	<i>Vaciar la suciedad del depósito</i>	22
2.6	<i>Atmósferas explosivas o inflamables.....</i>	22
3	Control / Funcionamiento	23
3.1	<i>Puesta en marcha y funcionamiento de la máquina</i>	23
3.2	<i>Antes de la recogida en húmedo</i>	23
3.3	<i>Vaciado después de la recogida en húmedo.....</i>	23
3.4	<i>Vaciado después de la recogida en seco</i>	23
3.5	<i>Push&Clean.....</i>	23
4	Después de usar el limpiador	23
4.1	<i>Después de usar.....</i>	23
4.2	<i>Transporte.....</i>	23
4.3	<i>Almacenamiento.....</i>	23
4.4	<i>Reciclar el limpiador</i>	24
5	Mantenimiento	24
5.1	<i>Inspección y mantenimiento regular.....</i>	24
5.2	<i>Mantenimiento</i>	24
6	Especificaciones	25
7	Elementos y Componentes	25
8	Accesorios	26

1 Instrucciones de seguridad importantes



Este documento contiene la información de seguridad del aparato junto con una guía de referencia rápida. Antes de utilizar por primera vez el aspirador, debe leer cuidadosamente este manual. Guarde las instrucciones para poder consultarlas.

Asistencia adicional

Puede encontrar más información sobre el aparato en nuestro sitio web www.Deere.com. Para cualquier consulta, póngase en contacto con el representante de servicio de John Deere en su país. Consulte el reverso de este documento.

1.1 Símbolos que se usan para indicar instrucciones

PELIGRO



Peligro de que conduce directamente a lesiones graves o irreversibles, o incluso la muerte.

ADVERTENCIA



Peligro de que conduce directamente a lesiones graves o incluso la muerte.

PRECAUCIÓN



Peligro que puede provocar lesiones y daños.

1.2 Instrucciones de uso

Consideraciones sobre el aparato:

- sólo deben usarlo personas que conocen su uso y tienen la tarea de utilizarlo
- siempre debe funcionar bajo supervisión
- Este aparato no está diseñado para que lo usen personas (niños incluidos) con capacidad física, sensorial o mental reducida, sin experiencia o con falta de conocimientos.
- Debe controlarse que los niños no jueguen con el aparato.
- No debe ser utilizado por niños
- Evite las técnicas de trabajo inseguras.
- No debe utilizarse nunca el aspirador sin filtro.
- Apague el aparato y desconecte el enchufe de la red eléctrica en las siguientes situaciones:
- Antes de proceder a la limpieza y el mantenimiento
- Antes de sustituir piezas
- Antes de cambiar el aparato
- Si se forma espuma o sale líquido

Además de las instrucciones de funcionamiento y las normas de prevención de accidentes aplicables

en el país de uso, aplique las normas generales sobre seguridad y uso adecuado.

1.3 Propósito y uso

Este aspirador se ha diseñado, desarrollado y probado rigurosamente para funcionar de manera eficiente y segura cuando su mantenimiento es correcto y se utiliza de acuerdo con las siguientes instrucciones.

El equipo es idóneo para el uso industrial, p. ej. en hoteles, escuelas, hospitales, fábricas, locales comerciales, oficinas. Los accidentes debidos al mal uso sólo pueden evitarlos los usuarios de la máquina.

LEA Y SIGA LAS INSTRUCCIONES DE SEGURIDAD. Véase las instrucciones de seguridad.

Esta máquina es adecuada para recoger polvo seco no inflamable y líquidos.

Cualquier otra utilización se considerará uso indebido. El fabricante no se responsabiliza de los daños causados por un uso inadecuado. El riesgo para tal uso está cubierto exclusivamente por el usuario. El uso adecuado incluye también una operación correcta y realizar el mantenimiento y las reparaciones según lo especificado por el fabricante.

1.4 Conexión eléctrica

1. Se recomienda conectar la aspiradora mediante un interruptor diferencial.
2. Compruebe las piezas eléctricas (enchufes, conexiones y conectores) y el alargador para garantizar que mantienen el aislamiento.
3. Los acoplamientos y los conectores de los cables de alimentación y los alargadores deben ser herméticos.

1.5 Alargador

1. Como cable alargador utilice únicamente la versión especificada por el fabricante o uno de mayor calidad. Véase las instrucciones de servicio.
2. Cuando utilice un alargador, compruebe las secciones transversales del cable:

Longitud del cable	Sección transversal	
	< 16 A	< 25 A
hasta 20 m	1,5 mm ²	2,5 mm ²
20 a 50 m	2,5 mm ²	4,0 mm ²

1.6 Garantía

Nuestras condiciones generales se aplican a la garantía.

Las modificaciones no autorizadas en el aparato, el uso incorrecto de los cepillos, además de utilizar el aparato de forma distinta a su finalidad, eximen al fabricante de cualquier responsabilidad por los daños causados.

1.7 Pruebas y certificados de aprobación

Comprobaciones electrotécnicas deben ser llevadas

a cabao según las prescripciones de Prevención de accidentes (BGV A3) y conforme a DIN VDE 0701 1a Parte y 3a Parte. Estas comprobaciones son necesarias, conforme a DIN VDE 0702, en periodos de tiempos regulares y después de reparaciones y cambios.

1.8 Advertencias importantes

ADVERTENCIA



- Para reducir el riesgo de incendios, descargas eléctricas o lesiones, lea y siga todas las instrucciones de seguridad y las indicaciones de precaución antes de su uso. Este aspirador está diseñado para ser seguro cuando se usa para limpiar según se especifica. En caso de producirse daños a las piezas eléctricas o mecánicas, el aspirador y sus accesorios deben ser reparados por un servicio técnico cualificado o por el fabricante antes volver a usarlos con el fin de evitar mayores daños a la máquina o lesiones al usuario.
- No deje la máquina cuando esté enchufada. Desconéctela cuando no esté en uso y antes de realizar su mantenimiento.
- No lo utilice si el cable o el enchufe está dañado. Para desconectar, sujete el enchufe, no el cable. No toque el enchufe ni el aspirador con las manos mojadas. Apague todos los controles antes de desconectar.
- No tire del cable ni transporte el aparato tirando de él, no use el cable como asa, no cierre una puerta sobre el cable ni lo exponga a bordes o esquinas afiladas. No encienda el aparato sobre el cable. Mantenga el cable lejos de superficies calientes.
- Mantenga el cabello, la ropa suelta, los dedos y todas las partes del cuerpo lejos de las aberturas y piezas móviles. No coloque ningún objeto en las aberturas ni use el aparato con la apertura bloqueada. Mantenga las aberturas libres de polvo, pelusas, pelos y cualquier objeto que pueda reducir el flujo de aire.
- Esta máquina no es adecuada para recoger polvo peligroso.
- No la use para recoger líquidos inflamables o combustibles tales como gasolina, ni en áreas donde puedan estar presentes.
- No recoja nada que se esté quemando o desprenda humo, como cigarrillos, cerillas o cenizas calientes.
- Tenga especial cuidado al limpiar escaleras.
- No lo utilice a menos que los filtros estén

instalados.

- Si el filtro no funciona correctamente o se ha caído, dañado, dejado en el exterior o caído al agua, envíelo a un centro de servicio técnico o a su distribuidor.
- Si hay un escape de espuma o líquido de la máquina, apáguela inmediatamente
- El aspirador no puede utilizarse como una bomba de agua. El aspirador está diseñado para aspirar mezclas de aire y agua.
- Conecte el aspirador a una fuente de alimentación con conexión a tierra. La toma de corriente y alargador deben tener un conductor de protección.
- Disponga de buena ventilación en el lugar de trabajo.
- No utilice el aspirador como una escalera. El aspirador puede volcar y dañarse. Peligro de lesión.

1.9 Aparatos con doble aislamiento*



PRECAUCIÓN



- Utilice el aparato sólo como se describe en este manual y sólo con los accesorios recomendados por el fabricante.
- ANTES DE CONECTAR EL ASPIRADOR compruebe en la placa de especificaciones si la tensión nominal corresponde al 10% de la tensión de la red.
- Este aparato está dotado de doble aislamiento. Utilice sólo piezas de repuesto idénticas. Consulte en las instrucciones el mantenimiento de los aparatos con doble aislamiento.

Un aparato con doble aislamiento dispone de dos sistemas de aislamiento en lugar de conexión a tierra. Los aparatos sin conexión a tierra disponen de doble aislamiento por lo que no necesitan de la conexión a tierra. El mantenimiento de un aparato con doble aislamiento requiere extremo cuidado y conocimiento del sistema, por lo que debe realizarlo únicamente personal cualificado. Las piezas de repuesto de un aparato con doble aislamiento deben ser idénticas a las piezas que reemplazan. Un aparato con doble aislamiento está marcado con las palabras "DOUBLE INSULATION" o "DOUBLE INSULATED". El símbolo (cuadrado dentro de un cuadrado) también se utiliza.

La máquina está equipada con un cable de diseño especial que, si se daña, debe sustituirse por un cable del mismo tipo. Este servicio está disponible en los centros técnicos y distribuidores autorizados, y debe ser realizado por personal cualificado.

2 Riesgos

2.1 Componentes eléctricos

PELIGRO



La sección superior del aspirador contiene componentes activos.

El contacto con componentes bajo tensión puede ocasionar lesiones graves o incluso mortales.

- No salpique con agua la parte superior del aspirador.

PELIGRO



Se puede producir electrocución por una mala conexión.

Tocar un cable eléctrico defectuoso puede provocar lesiones graves o incluso mortales.

- Procure no dañar el cable de alimentación, por ejemplo, al pasarle por encima, tirando de él o aplastándolo.
- Compruebe regularmente si el cable de alimentación eléctrica está dañado o presenta signos de envejecimiento.
- Si el cable de alimentación está dañado debe sustituirlo un distribuidor autorizado de John Deere o personas cualificadas para evitar cualquier riesgo.
- Haga cambiar un cable de conexión a la red defectuoso por el servicio técnico de John Deere o por un técnico electricista antes de seguir utilizando el equipo.
- En ningún caso debe permitirse que el cable de la fuente de alimentación envuelva los dedos de las manos ni cualquier parte del cuerpo de los operadores.

PRECAUCIÓN



Se pueden producir daños debido a una tensión de alimentación inadecuada.

El aparato puede resultar dañado como resultado de estar conectado a una tensión inadecuada.

- Asegúrese de que la tensión que aparece en la placa indicadora corresponde con la de la fuente de alimentación.

2.2 Recoger líquidos

PRECAUCIÓN



Recoger líquidos.

No absorba líquidos inflamables

- Antes de recoger líquidos, retire siempre la bolsa del filtro/polvo para comprobar que el flotador o el limitador del nivel de agua funciona correctamente.
- Es necesario usar un elemento filtrante independiente.

- Si se forma espuma detenga la operación y vacíe el depósito.

2.3 Materiales peligrosos

ADVERTENCIA



Materiales peligrosos.

Aspirar materiales peligrosos puede causar lesiones graves o incluso mortales.

- Con esta aspiradora no deben recogerse los materiales siguientes:
- Polvo peligroso
- Materiales calientes (cigarrillos encendidos, brasas calientes, etc.)
- Líquidos inflamables, explosivos o corrosivos (como petróleo, disolventes, ácidos, álcalis, etc.)
- Polvo inflamable o explosivo (por ejemplo magnesio o polvo de aluminio, etc.)

2.4 Piezas de repuesto y accesorios

PRECAUCIÓN



Piezas de repuesto y accesorios.

El uso de repuestos y accesorios no originales puede comprometer la seguridad del aparato.

- Utilice sólo piezas de repuesto y accesorios de John Deere.
- Utilice solamente los cepillos suministrados con el aspirador o los especificados en el manual de instrucciones.

2.5 Vaciar la suciedad del depósito

PRECAUCIÓN



Se debe tener precaución al recoger materiales peligrosos para el medioambiente.

Los materiales recogidos pueden constituir un peligro para el medioambiente.

- Deseche los residuos según la normativa.

2.6 Atmosferas explosivas o inflamables

PRECAUCIÓN



Esta máquina no es adecuada para usar en atmósferas explosivas o inflamables, o donde la atmósfera pueda provenir de líquidos volátiles o gases o vapores inflamables.

3 Control / Funcionamiento

3.1 Puesta en marcha y funcionamiento de la máquina

Compruebe que el interruptor eléctrico está apagado (en la posición 0). Compruebe que los filtros adecuados están instalados en la máquina. A con-

tinuación, conecte la manguera de aspiración en la boca de aspiración tirando del tubo flexible hacia adelante hasta que encaje firmemente en su lugar en la toma. A continuación, conecte los dos tubos en el mango, gire los tubos con el fin de garantizar que estén correctamente ajustados. Coloque una boquilla adecuada para el tubo. Elija la boquilla en función del tipo de material que se va a recoger. Conecte el enchufe en una toma de corriente adecuada. Coloque el interruptor eléctrico en la posición 1, con el fin de arrancar el motor.



Pulsar I: Activa la máquina.
Pulsar O: Detiene la máquina.



Pulsar I: Activa la máquina. Girar en el sentido de las agujas del reloj para controlar la velocidad
Pulsar O: Detiene la máquina.

3.2 Antes de la recogida en húmedo

PRECAUCIÓN



La máquina está equipada con un sistema de flotación que corta el flujo de aire a través de la máquina cuando el nivel del líquido es máximo. Escuchará un cambio notable del sonido del motor y observará que la potencia de succión disminuye. Cuando esto ocurre, apague la máquina. Desconecte la máquina de la toma. Nunca recoja líquido sin colocar el flotador.

3.3 Vaciado después de la recogida en húmedo

Antes de vaciar el recipiente, desenchufe el aspirador. Desconecte la manguera de la toma tirando de la manguera. Suelte el pestillo tirando hacia afuera de modo que se libere la parte superior del motor. Abra la parte superior del motor desde el depósito. Siempre vacíe y limpie el depósito y el sistema de flotación después de recoger líquidos. Nunca recoja líquido sin el sistema de flotación y el filtro instalados en la máquina.

Para vaciar el depósito inclínelo hacia atrás y vierta el líquido en un desagüe en el suelo o similar.

Vuelva a colocar la parte superior de motor en el depósito. Fije la parte superior del motor con los pestillos.

3.4 Vaciado después de la recogida en seco

Quite el conector eléctrico de la toma antes de vaciar después de una recogida en seco. Compruebe los filtros y la bolsa para el polvo con regularidad. Suelte el pestillo tirando hacia afuera de modo que se libere la parte superior del motor. Abra la parte superior del motor desde el depósito.

Filtro de cartucho: Para limpiar el filtro, puede agitarlo, cepillarlo o lavarlo. Espere hasta que esté

seco antes de volver a utilizarlo.

Bolsa: compruebe la bolsa para asegurar el factor de relleno. Sustituya la bolsa si es necesario. Extraer la bolsa. La nueva bolsa se inserta pasando el cartón con la membrana de goma a través de la toma de vacío. Asegúrese de que la membrana de goma está más allá de la toma de vacío.

Después de vaciar: Cierre la parte superior del motor en el depósito y fíjela con los pasadores. No recoja nunca material seco sin filtro de cartucho y bolsa de polvo en la máquina. La eficacia de succión de la aspiradora depende del tamaño y la calidad del filtro y la bolsa. Por lo tanto, utilice sólo filtros y bolsas para el polvo originales.

Este aspirador se utiliza para recoger material peligroso, no intente abrirlo ni vaciarlo sin ropa protectora y máscara. Este procedimiento debe realizarse en un entorno controlado. El contacto con el aspirador, los filtros y el resto de los accesorios que se usen para recoger el material peligroso debe realizarse según las leyes federales (EPA, OSHA), estatales y locales aplicables a las sustancias que se van a recoger.

3.5 Push&Clean

La máquina está equipada con un sistema de limpieza de filtro semi-automático. Push&Clean El sistema de limpieza de filtro debe activarse cuando el rendimiento de la aspiradora no sea suficiente. El uso regular de la función de limpieza del filtro aumenta su vida útil.

4 Después de usar el limpiador

4.1 Después de usar

Retire el enchufe de la toma cuando la máquina no está en uso. Enrolle el cable desde la máquina. El cable de alimentación puede enrollarse alrededor de la parte superior del motor o en el depósito. Algunos modelos tienen lugares de almacenamiento especiales para los accesorios.

4.2. Transporte

- Antes de transportar el depósito con residuos, ciérrelo correctamente.
- No incline el aspirador si hay líquido en el depósito de residuos.
- No utilice un gancho de grúa para levantar el aspirador.

4.3 Almacenamiento

- Guarde el aparato en un lugar seco y protegido de la lluvia y las heladas.
- La máquina debe almacenarse en el interior.

4.4 Reciclar el limpiador

Inutilice el limpiador.

1. Desconecte el limpiador.
2. Corte el cable de alimentación.
3. No deseche los aparatos eléctricos con la basura doméstica.

Desechar la aspiradora se utiliza en línea con las regulaciones federales, estatales, provinciales y / o regulaciones locales.

5 Mantenimiento

5.1 Inspección y mantenimiento regular

El mantenimiento y la inspección periódica de la máquina debe realizarlo personal cualificado de conformidad con la legislación y reglamentos pertinentes. En particular, las pruebas del sistema eléctrico de continuidad de tierra, resistencia de aislamiento y estado de los cables flexibles deben realizarse con frecuencia.

En caso de cualquier defecto, la máquina DEBE re-

tirarse del servicio, revisarse completamente y enviarse a reparar por un servicio técnico autorizado.

5.2 Mantenimiento

Retire el enchufe de la toma antes de realizar el mantenimiento. Antes de usar la máquina, asegúrese de que la frecuencia y la tensión que se indican en la placa de características corresponden con la tensión de la red.

El limpiador está diseñado para funcionar de forma continua. Dependiendo de las horas de funcionamiento, deben cambiarse los filtros de polvo. Limpie el depósito con un paño seco y una pequeña cantidad de spray limpiador. Para obtener más información sobre el servicio postventa, póngase en contacto con su distribuidor

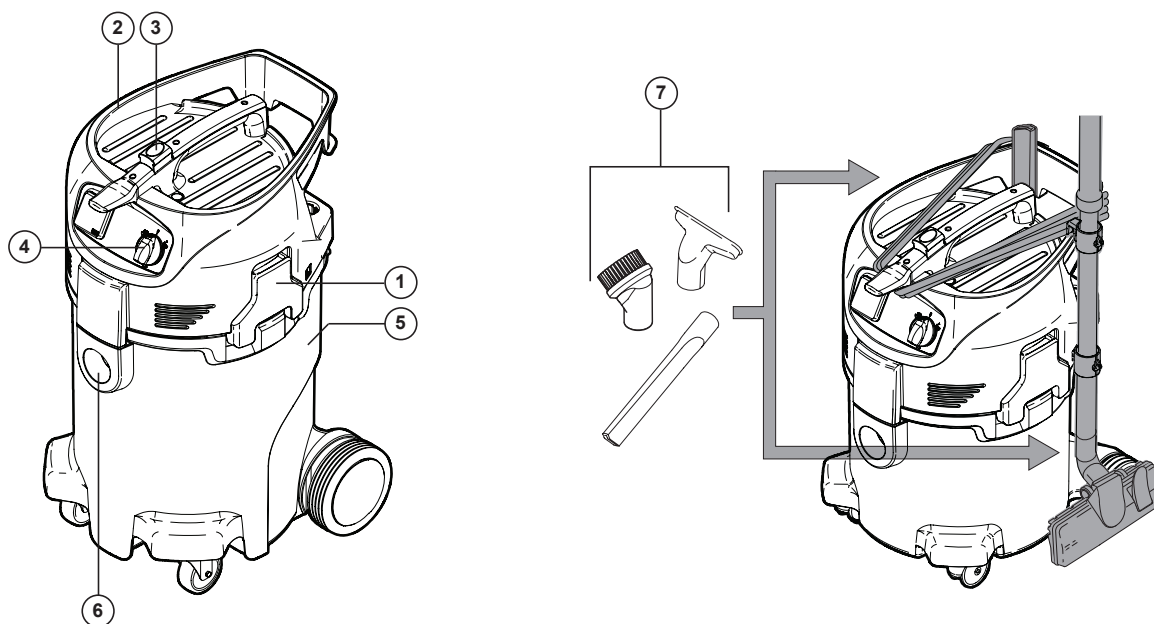
de John Deere o el representante de servicio responsable de su país. Consulte el reverso de este documento.

6 Especificaciones

		PR-12
Tensión posible	V	120
Potencia P_{iec}	W	1000
Frecuencia de alimentación	Hz	60
Fusible	A	15
Grado de protección (humedad, polvo)		IPX4
Clase de protección (eléctrica)		I
Flujo de aire	l/min m ³ /h	3200 192
Al vacío	kPa	23
Nivel de intensidad acústica de superficie de medición en 1 m de distancia, EN 60704-1	dB(A)+/-2	62
Nivel de ruido durante el trabajo	dB(A)+/-2	59
Vibración ISO 5349	m/s ² +/-1	<2,5
Peso	kg	10

Las especificaciones y los datos están sujetos a cambios sin previo aviso.

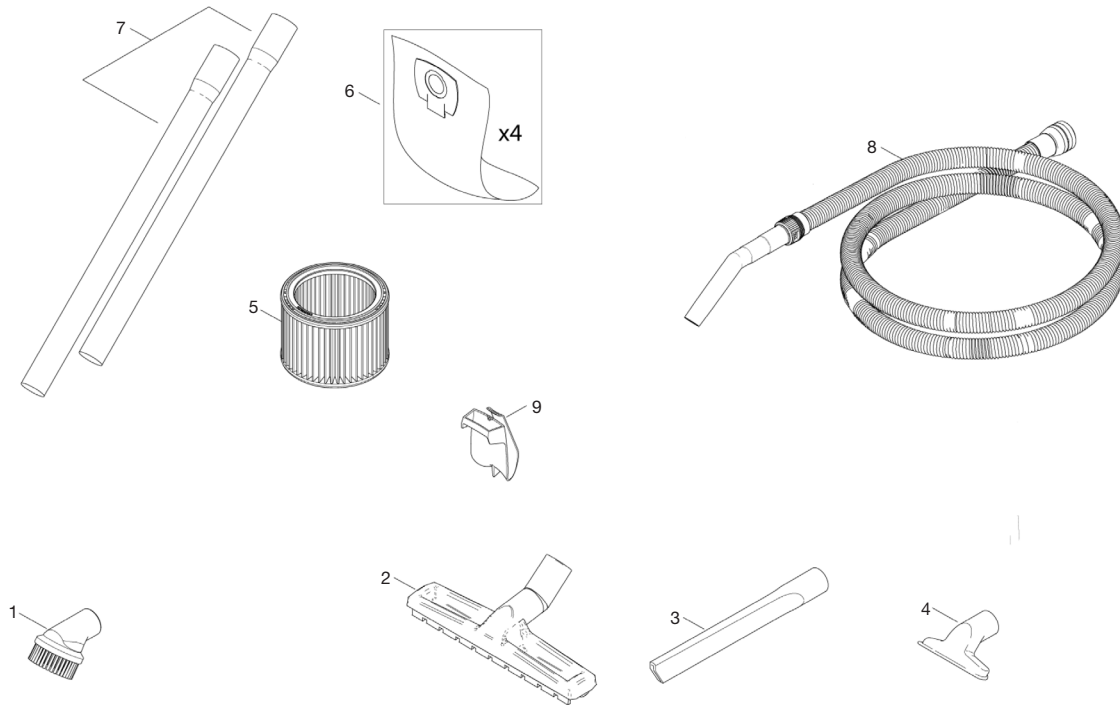
7 Elementos y Componentes



1. Picaportes de los lados
2. Tapa de lata
3. Push and Clean
4. Varilla de apaga/arranca

5. Lata
6. Entrada de succión
7. Accesorios

8 Accesorios



ACCESORIOS		
1	CEPILLO DE ASPIRACIÓN NEGRO	33-0606
2	BOQUILLA DE SUELO	33-0603
3	BOQUILLA PARA JUNTAS	33-0605
4	BOQUILLA UNIVERSAL	33-0604
5	ELEMENTO DE FILTRO	19-0288
6	BOLSA DE FILTRO	19-0290
7	TUBO DE SUCCIÓN; 2 X 50MM	16-0484
8	MANGUERA DE ASPIRAR	15-0372
9	MANGUERA/GANCHO DE ARRASTRE	33-0607



Intertek
3084826

37-1376-E/F/S 062716
©Copyright 2016, John Deere



Manufactured for Deere & Company
Moline, Illinois 61265
Operator's Manual