

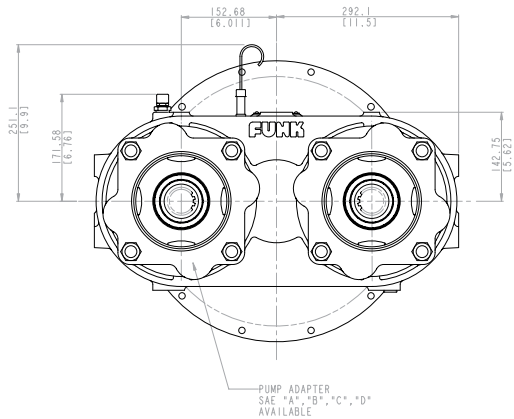
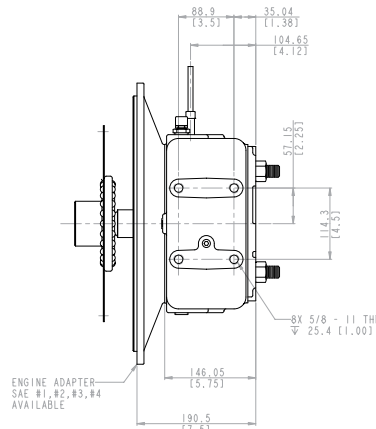
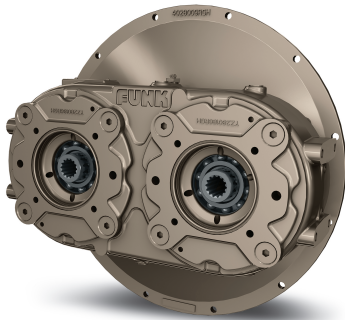
Funk™ Series 28000

28000 Double Pump Drive

Industrial Drivetrain Specifications



Dimensions



Ratings

Max input power	268 kw (360 hp)
Max output power (per pump pad)	242 kw (325 hp)
Max input torque	881-1017 Nm (650-750 lb-ft)
Max output torque	780-881 Nm (575-650 lb-ft)
Max input/output speed	3000 rpm

Gear ratios

28000 single and double - 5 in (127 mm)						
.628:1	.71:1	.89:1	1:1	1.12:1	1.41:1	1.592:1
28000 tripe and double - 6 in (152 mm)						
.647:1	.714:1	.787:1	.826:1	.867:1	.909:1	1:1
1.10:1	1.27:1	1.40:1				

Bold italicized text indicates common Series 28000 options.

Features and benefits

Perfect fit

- With more than 5,000 pump drive configurations up to 708 kW (950 hp), we are sure to have the pump drive that meets your needs. Our application engineers provide support to help you choose the best pump drive for your application.

Fast service

- Whether you need a new pump drive or service support on an existing drive, our modular assembly system and experienced regional distribution network lets us get you what you need fast.

General data

Type	Double
Gear centers	5" or 6"
Approximate dry weight	68-105 kg (150-230 lb)
Pump rotation	Anti-enginewise
Flywheel covers	
Nominal clutch size	
Oil capacity	
Oil type	JDM J20C specification MIL-L-2015C or API classification GL-5

High quality

- We use the latest manufacturing technology to ensure we deliver the highest quality products for you.

Integration support

- Getting the most out of your equipment depends on close integration between all components. Our application experts can help integrate your entire system from the engine to the pump drives, powershift transmissions, HMD transmissions, planetary drives, and inboard planetary axles.

John Deere Power Systems

3801 W. Ridgeway Ave.
PO Box 5100
Waterloo, IA 50704-5100
Phone: 800.553.6446
Fax: 319.292.5075

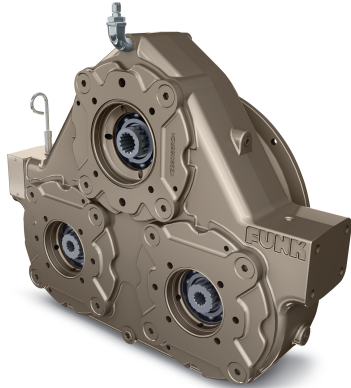
Photographs may show non-standard equipment.

Specifications and design subject to change without notice. Ratings may vary depending on application and service. Application and installation are subject to review by John Deere.

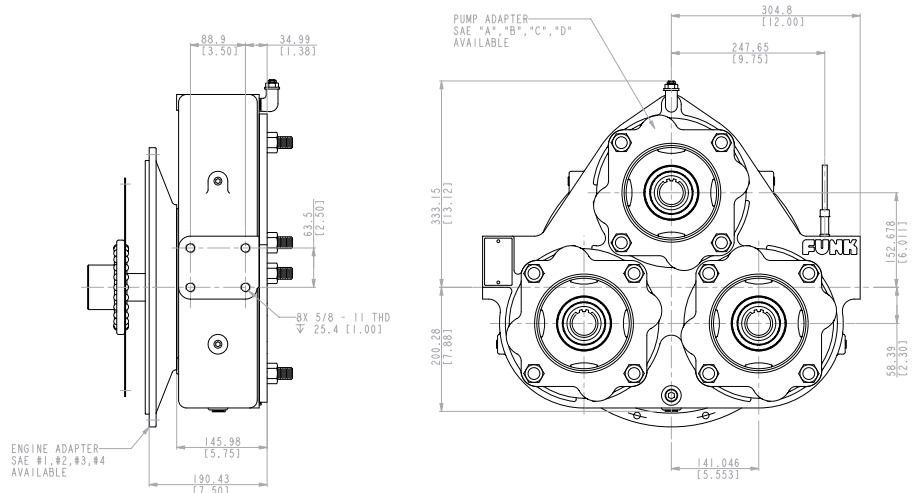
Funk™ Series 28000

28000 Triple Pump Drive

Industrial Drivetrain Specifications



Dimensions



Ratings

Max input power	268 kw (360 hp)
Max output power (per pump pad)	268 kw (360 hp)
Max input torque	1017 Nm (750 lb-ft)
Max output torque	881 Nm (650 lb-ft)
Max input/output speed	3000 rpm

General data

Type	Triple
Gear centers	
Approximate dry weight	96-125 kg (210-275 lb)
Pump rotation	Anti-enginewise
Flywheel covers	
Nominal clutch size	
Oil capacity	
Oil type	JDM J20C specification MIL-L-2015C or API classification GL-5

Gear ratios

28000 triple and double - 6 in (152 mm)

.647:1	.714:1	.787:1	.826:1	.867:1	.909:1	1:1
1.10:1	1.27:1	1.40:1				

Bold italicized text indicates common Series 28000 options.

Features and benefits

Perfect fit

- With more than 5,000 pump drive configurations up to 708 kW (950 hp), we are sure to have the pump drive that meets your needs. Our application engineers provide support to help you choose the best pump drive for your application.

Fast service

- Whether you need a new pump drive or service support on an existing drive, our modular assembly system and experienced regional distribution network lets us get you what you need fast.

High quality

- We use the latest manufacturing technology to ensure we deliver the highest quality products for you.

Integration support

- Getting the most out of your equipment depends on close integration between all components. Our application experts can help integrate your entire system from the engine to the pump drives, powershift transmissions, HMD transmissions, planetary drives, and inboard planetary axles.

John Deere Power Systems

3801 W. Ridgeway Ave.
PO Box 5100
Waterloo, IA 50704-5100
Phone: 800.553.6446
Fax: 319.292.5075

Photographs may show non-standard equipment.

Specifications and design subject to change without notice. Ratings may vary depending on application and service. Application and installation are subject to review by John Deere.