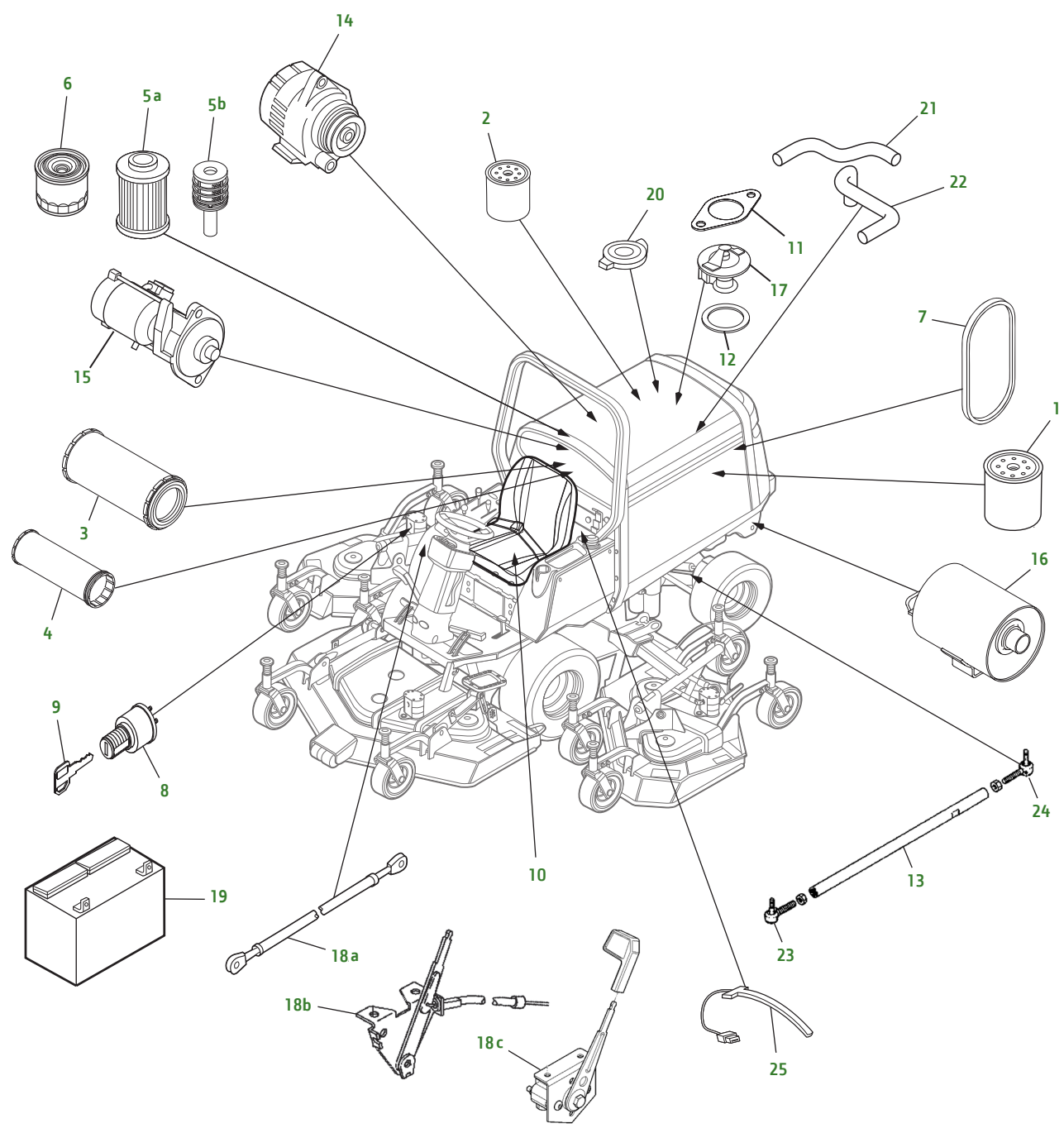


1600 Turbo / 1600 Turbo Series II



1600 Turbo / 1600 Turbo Series II (Continued)

Key	Part No.	Description	Key	Part No.	Description
1	M806419	ENGINE OIL FILTER	17	M811034	THERMOSTAT
2	AL221066	HYDRAULIC FILTER	18a	AM101415	THROTTLE CABLE - (S/N -030000) - 1600 TURBO
3	AP33330	AIR FILTER - PRIMARY	18b	AMT2416	THROTTLE CABLE - (S/N 030001-) - 1600 TURBO
4	AP33331	AIR FILTER - SECONDARY		AMT2416	THROTTLE CABLE - (S/N -090000) - 1600 TURBO SERIES II
5a	T111383	FUEL FILTER ELEMENT - 1600 TURBO	18c	TCA19988	THROTTLE CABLE - (S/N 090001-) - 1600 TURBO SERIES II
5b	M811032	FUEL FILTER ELEMENT - 1600 TURBO SERIES II	19	TY25272	BATTERY
6	MIU800645	FUEL FILTER - 1600 TURBO SERIES II	20	AT173610	RADIATOR CAP
7	M809983	FAN BELT - 1600 TURBO	21	TCU15273	RADIATOR HOSE - UPPER
	M801821	FAN BELT - 1600 TURBO SERIES II	22	TCU15275	RADIATOR HOSE - LOWER - 1600 TURBO
8	TCA22740	IGNITION SWITCH		TCU18228	RADIATOR HOSE - LOWER - 1600 TURBO SERIES II
9	AM131841	IGNITION KEY	23	MIA884948	TIE ROD END - LH
10	TCA19982	SEAT	24	MIA884949	TIE ROD END - RH
11	M805834	GASKET - UPPER	25	TCU12951	SEAT SWITCH
12	M805835	GASKET - LOWER			
13	M800428	TIE ROD TUBE			
14	MIA884641	ALTERNATOR			
15	RG60654	STARTER MOTOR			
16	M810348	MUFFLER - 1600 TURBO			
	MIU800429	MUFFLER - 1600 TURBO SERIES II			

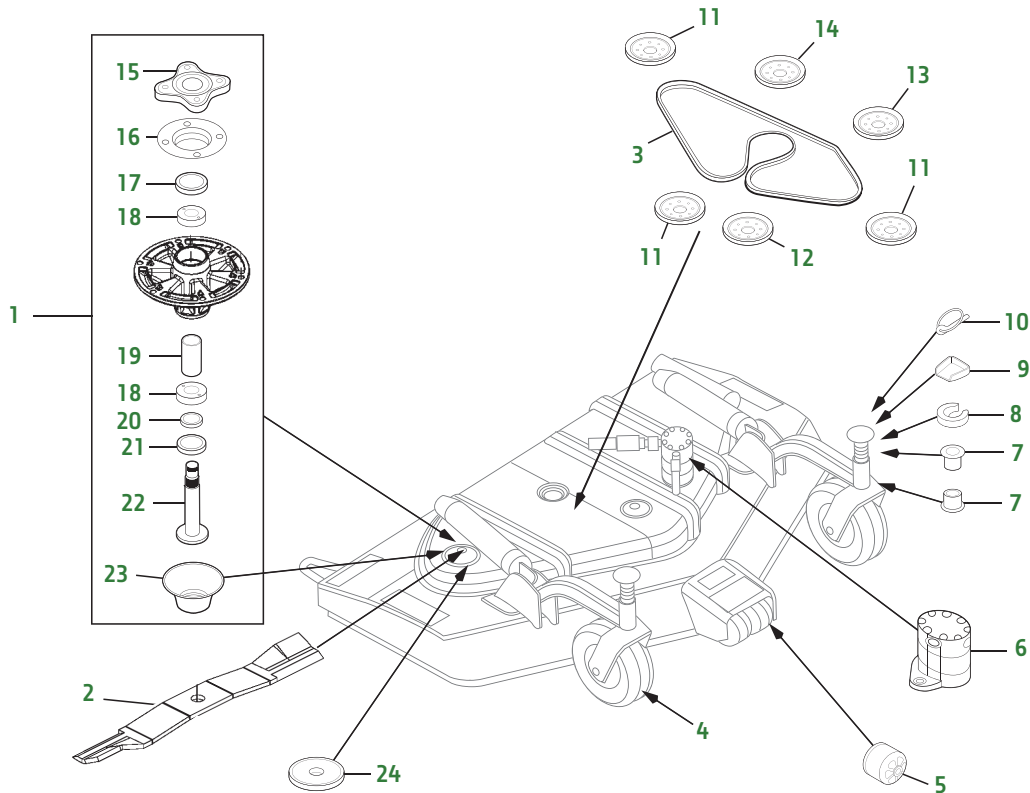
Parts Needed in First 200 Hours of Operation

Qty	Part No.	Item	Capacity	Interval In Hours
2	M806419	Engine Oil Filter	1	50/200
16	TY26669	John Deere Plus-50™ II 10W-30 Engine Oil - 1600 Turbo	7.4 L (7.8 qt)	50/200
1	TY26804	Torq-Gard™ 5W-30 Engine Oil - 1600 Turbo Series II	8.86 L (1.94 gal)	50/200
1	AL221066	Hydraulic Filter	1	50
1	TY6341	Multi-Purpose SD Polyurea Grease (14 oz)		As Needed

Capacities

Engine Oil (with Filter)	7.4 L (7.8 qt)
Coolant	7.5 L (8 qt)
Hydraulic System	58.7 L (15.5 gal)
Hydrostatic Transmission	13.3 L (3.5 gal)
Rear Axle	4.7 L (5 qt)
Grease Gun	TY26518

62 in. Front-Mount, Rear Discharge deck (1600 Turbo / 1600 Turbo Series II)

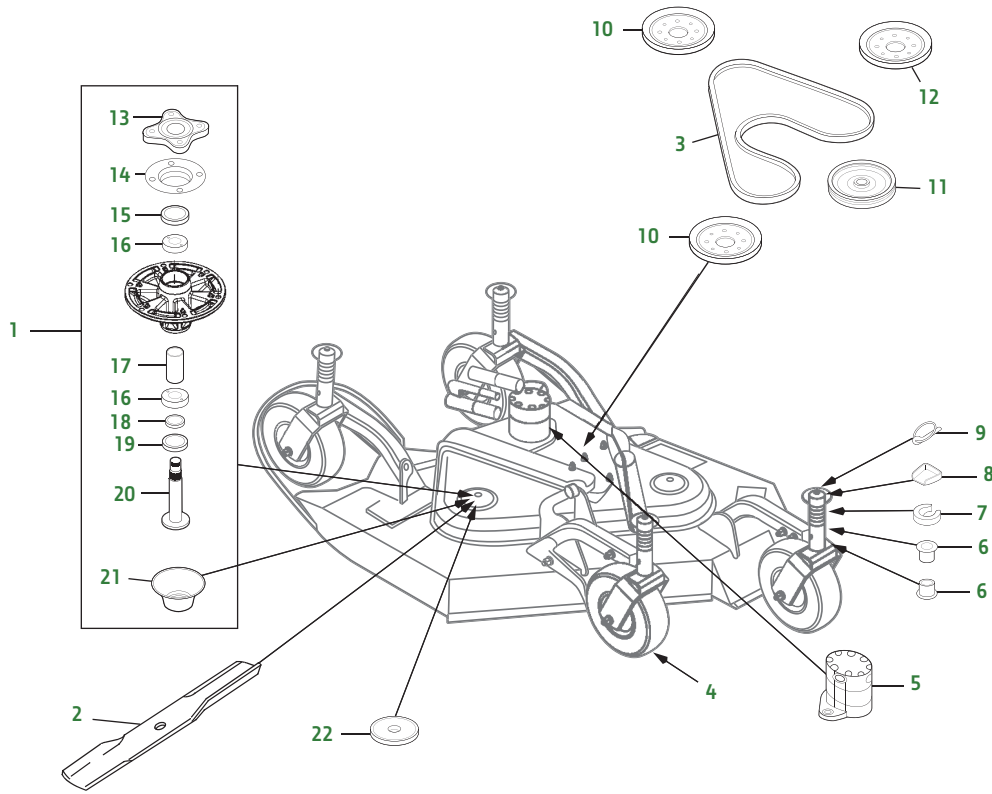


Key	Part No.	Description	Key	Part No.	Description
1	TCA24881 SPINDLE ASSEMBLY	10	M115827 QUICK LOCK PIN
2	TCU51118 BLADE (STD)	11	TCU51050 SHEAVE - 1600 TURBO
	M144935 BLADE - MULCHING		TCU51050 SHEAVE - (S/N -090000)
3	TCU14537 BELT - CENTER DECK - 1600 TURBO			- 1600 TURBO SERIES II
	TCU14537 BELT - CENTER DECK - (S/N -100006)		TCU31399 SHEAVE - (S/N 090001-)
		- 1600 TURBO SERIES II			- 1600 TURBO SERIES II
	TCU31159 BELT - CENTER DECK - (S/N 100007-)	12	TCA51121 IDLER SHEAVE
		- 1600 TURBO SERIES II	13	AN15237 IDLER SHEAVE
4	AM101589 WHEEL & TIRE ASSEMBLY - (S/N -010100)	14	TCA20656 SHEAVE
		- 1600 TURBO	15	TCU38142 HUB
	TCA13832 WHEEL & TIRE ASSEMBLY - (S/N 010101-)	16	TCU51223 DEFLECTOR
		- 1600 TURBO	17	M85699 SEAL
	TCA20363 WHEEL & TIRE ASSEMBLY - 1600 TURBO	18	M88251 BALL BEARING
		SERIES II	19	M163058 SPACER
5	M115245 ROLLER	20	M163060 BUSHING
6	TCA19935 HYDRAULIC MOTOR	21	M127198 SEAL
7	M83541 BUSHING - TOP & BOTTOM	22	M163059 SPINDLE
8	M85178 SPACERS	23	M163053 DEFLECTOR
9	TCU51773 GUARD	24	M123522 WASHER

Frequently Used Items

Qty	Part No.	Item
3	TCA24881	Spindle Assembly
3	TCU51118	Blade - Standard
3	M144935	Blade - Mulching
1	TCU14537	Belt - Center Deck - 1600 Turbo
1	TCU14537	Belt - Center Deck - (S/N -100006) - 1600 Turbo Series II
1	TCU31159	Belt - Center Deck - (S/N 100007-) - 1600 Turbo Series II

42 in. Left & Right, Side Wing decks (1600 Turbo / 1600 Turbo Series II)



Key	Part No.	Description	Key	Part No.	Description
1	TCA24881	SPINDLE KIT ASSEMBLY	10	TCU51050	SHEAVE - LEFT & RIGHT DECK - 1600 TURBO
2	TCU51118	BLADE (STD)		TCU51050	SHEAVE - LEFT & RIGHT DECK - (S/N -090000)
	M144935	BLADE - MULCHING			- 1600 TURBO SERIES II
3	TCU14539	BELT - LEFT WING DECK		TCU31399	SHEAVE - LEFT & RIGHT DECK - (S/N 090001-)
	TCU14538	BELT - RIGHT WING DECK			- 1600 TURBO SERIES II
4	AM101589	WHEEL & TIRE ASSEMBLY - (S/N -010100)	11	TCA20656	IDLER SHEAVE - LEFT & RIGHT DECK
		- 1600 TURBO	12	TCA51121	IDLER SHEAVE - LEFT & RIGHT DECK
	TCA13832	WHEEL & TIRE ASSEMBLY - (S/N 010101-)	13	TCU38142	HUB
		- 1600 TURBO	14	TCU51223	DEFLECTOR
	TCA13832	WHEEL & TIRE ASSEMBLY - (S/N -090000)	15	M85699	SEAL
		- 1600 TURBO SERIES II	16	M88251	BALL BEARING
5	TCA19935	HYDRAULIC MOTOR	17	M163058	SPACER
6	M83541	BUSHING - TOP & BOTTOM	18	M163060	BUSHING
7	M85178	SPACER	19	M127198	SEAL
8	TCU51773	GUARD	20	M163059	SPINDLE
9	M115827	QUICK LOCK PIN	21	M163053	DEFLECTOR
			22	M123522	WASHER

Frequently Used Items

Qty	Part No.	Item
2	TCA24881	Spindle Assembly
2	TCU51118	Blade - Standard
2	M144935	Blade - Mulching
1	TCU14539	Belt - Left
1	TCU14538	Belt - Right