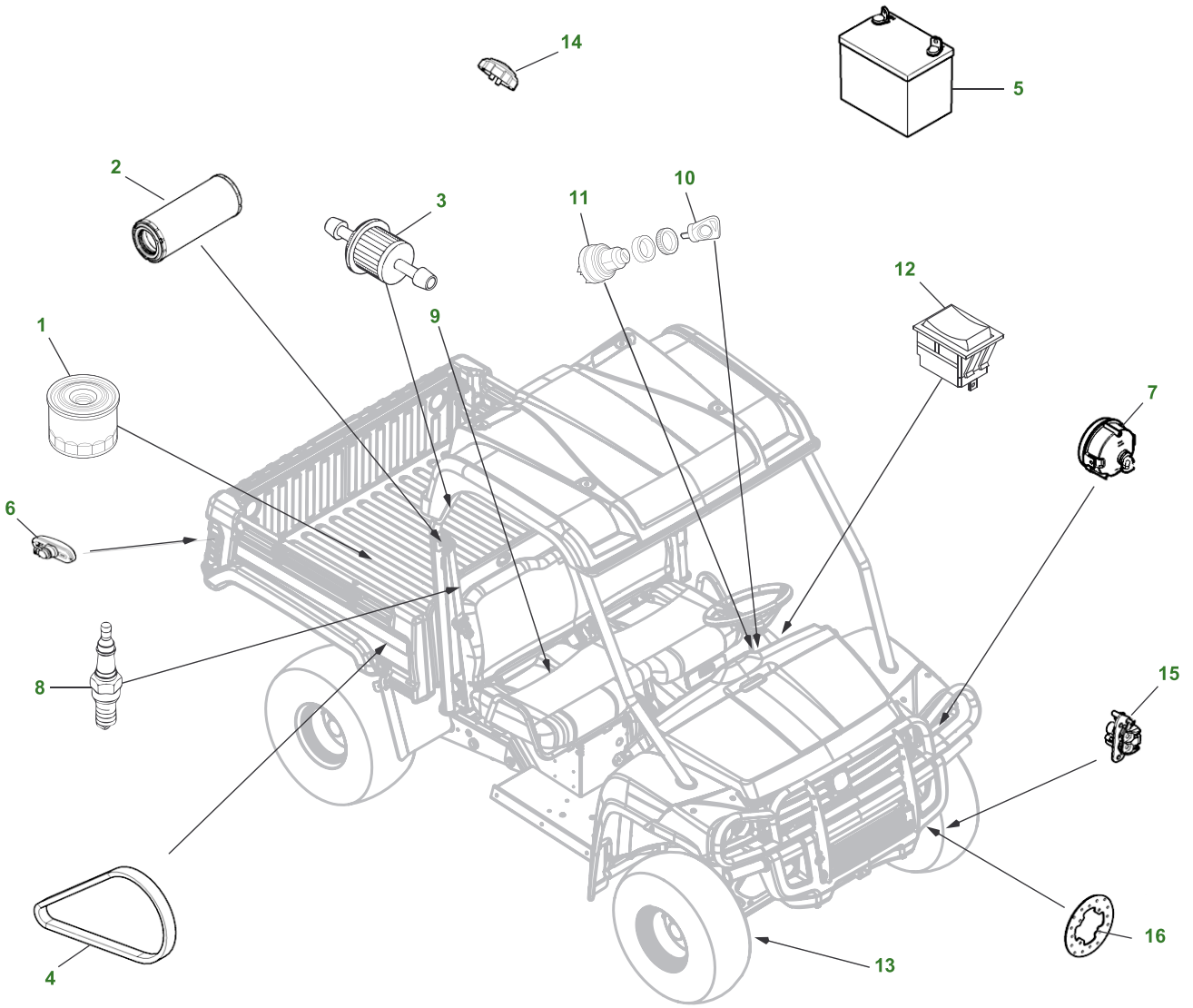


Gator HPX615E (Green & Yellow)



17

Gator HPX615E (Green & Yellow)

Key	Part No.	Description	Key	Part No.	Description
1	AM107423	OIL FILTER	13	M178664	TIRE - FRONT - 24X9.5-10 ALL PURPOSE
2	M113621	AIR FILTER ELEMENT		M178665	TIRE - REAR - 24X10.5-10 ALL PURPOSE
3	AM116304	FUEL FILTER - IN LINE		M178666	TIRE - FRONT - 24X9.5-10 AGGRESSIVE
4	UC14244	BELT-DRIVE		M178667	TIRE - REAR - 24X12-10 AGGRESSIVE
5	TY25221	BATTERY		M178662	TIRE - FRONT - 24X9.5-10 TURF
6	R133302	STOP LIGHT		M178663	TIRE - REAR - 24X12-10 TURF
7	AM144798	HEADLIGHT	14	AM146094	FILLER CAP
8	M138938	SPARK PLUG	15	AUC13924	DISK BRAKE CALIPER ASSY - FRONT
9	AM140623	SEAT BACK - YELLOW		AUC11301	DISK BRAKE CALIPER ASSY - R REAR
	AM140624	SEAT BENCH - YELLOW		AUC11302	DISK BRAKE CALIPER ASSY - L REAR
	VG11696	SEAT - YELLOW		AM141182	BRAKE PAD KIT
10	TCA24616	KEY	16	AM142950	ROTOR - FRONT
11	AUC12631	IGNITION SWITCH		AM135647	ROTOR - REAR
12	AM147340	ROCKER SWITCH - HEADLIGHT	17	LG259	HOME MAINTENANCE KIT

Parts Needed in First 250 Hours of Operation

Qty	Part No.	Item	Capacity	Interval In Hours
3	AM107423	Engine Oil Filter		8/100/200
5	TY22029	JD TURF-GARD™4 10W30 Engine Oil	1.3 L (1.37 qt)	8/100/200
1	M113621	Air Filter		200
1	AM116304	Fuel Filter		200
2	M138938	Spark Plugs		200
3	TY24416	John Deere Multi-Purpose HD Lithium Complex Grease		As Needed

Capacities

Engine Oil Capacity (with filter change) 1.3 L (1.37 qt)
 4WD Front Differential 150 mL (0.15 qt)
 Transaxle 4.5 L (4.8 qt)
 Cooling System (including recovery tank) 5.0 L (5.2 qt)
 TY26183 Grease Gun