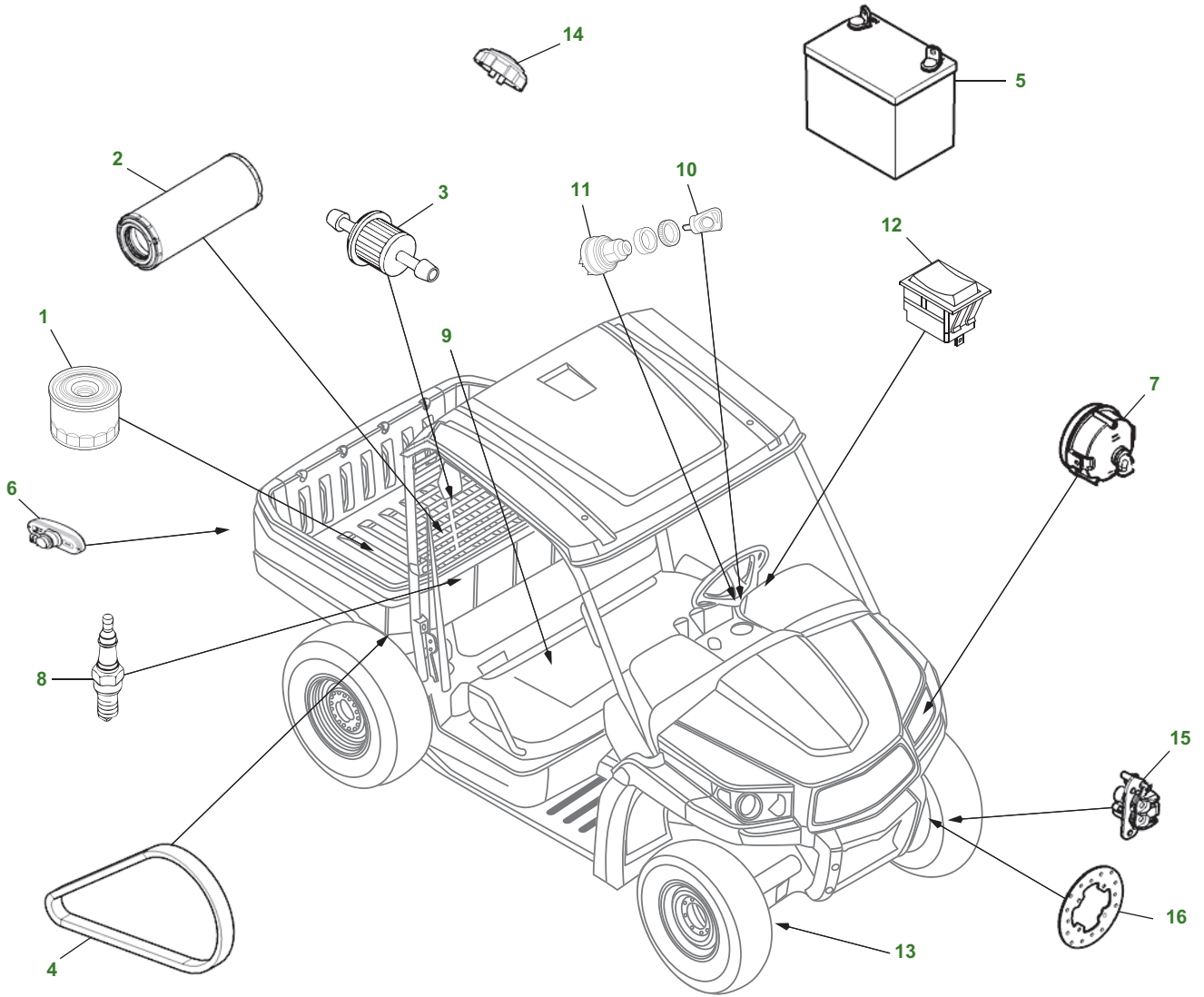


# Gator RSX860E & RSX860M (Green & Yellow, Olive & Black, & Camo)



# Gator RSX860E & RSX860M

## (Green & Yellow, Olive & Black, & Camo)

Key	Part No.	Description	Key	Part No.	Description
1	<a href="#">AM145365</a>	OIL FILTER	14	<a href="#">AM142833</a>	FILLER CAP
2	<a href="#">M170281</a>	AIR FILTER ELEMENT	15	<a href="#">AM148331</a>	DISK BRAKE CALIPER ASSY - R FRONT (S/N -020000)
3	<a href="#">AM117584</a>	FUEL FILTER - IN LINE		<a href="#">AM148330</a>	DISK BRAKE CALIPER ASSY - L FRONT (S/N -020000)
4	<a href="#">M176776</a>	BELT - CVT INLET		<a href="#">AM148752</a>	DISK BRAKE CALIPER ASSY - R FRONT (S/N 020001-)
5	<a href="#">TY25221</a>	BATTERY		<a href="#">AM148751</a>	DISK BRAKE CALIPER ASSY - L FRONT (S/N 020001-)
6	<a href="#">AM140754</a>	STOP LIGHT		<a href="#">AM148332</a>	DISK BRAKE CALIPER ASSY - R REAR (S/N -020000)
7	<a href="#">AM140335</a>	HEAD LIGHT BULB		<a href="#">AM148333</a>	DISK BRAKE CALIPER ASSY - L REAR (S/N -020000)
8	<a href="#">MIU13363</a>	SPARK PLUG		<a href="#">AM148753</a>	DISK BRAKE CALIPER ASSY - R REAR (S/N 020001-)
9	<a href="#">AM138194</a>	SEAT - YELLOW		<a href="#">AM148754</a>	DISK BRAKE CALIPER ASSY - L REAR (S/N 020000-)
	<a href="#">AM138195</a>	SEAT - BLACK		<a href="#">AM148144</a>	BRAKE KIT - FRONT PAD(S/N -020000)
	<a href="#">AM142132</a>	SEAT-SPORT UTILITY		<a href="#">AM148755</a>	BRAKE KIT - FRONT PAD (S/N 020001-)
10	<a href="#">AUC12681</a>	KEY		<a href="#">AM148145</a>	BRAKE KIT - REAR PAD (S/N -020000)
11	<a href="#">AUC12631</a>	IGNITION SWITCH		<a href="#">AM148756</a>	BRAKE KIT - FRONT PAD (S/N 020001-)
12	<a href="#">AM147340</a>	ROCKER SWITCH - HEADLIGHT	16	<a href="#">M166762</a>	ROTOR
13	<a href="#">M178225</a>	TIRE - ANCLA FRONT (25X8-12)	17	<a href="#">LG274</a>	HOME MAINTENANCE KIT
	<a href="#">M178226</a>	TIRE - ANCLA FRONT (25X10-12)			
	<a href="#">M178229</a>	TIRE - MAXXIS BIGHORN 2.0 FRONT (26X8 -14)			
	<a href="#">M178230</a>	TIRE - MAXXIS BIGHORN 2.0 REAR (26X10-14)			

### Parts Needed in First 250 Hours of Operation

Qty	Part No.	Item	Capacity	Interval In Hours
3	<a href="#">AM145365</a>	Engine Oil Filter		8/100/200
11	<a href="#">TY26665</a>	1 qt JD OW40 Plus 50 II Synthetic	3.25 L (3.4 qt)	8/100/200
1	<a href="#">M170281</a>	Air Filter		200
1	<a href="#">AM117584</a>	Fuel Filter		200
2	<a href="#">MIU13363</a>	Spark Plugs		200
3	<a href="#">TY24416</a>	John Deere Multi-Purpose HD Lithium Complex Grease		As Needed

### Capacities

Crankcase (with filter change)	3.25 L (3.4 qt)
4WD Front Transmission	0.4—0.6 L (0.42 - 0.60 qt)
Mid Transmission	2.2—2.6 L (2.3 - 2.75 qt)
Rear Transmission	0.5—0.7 L (0.53 - 0.75 qt)
Cooling system (including recover tank)	4.9 L (5.2 qt)
TY26183	Grease Gun